



Heavy Duty Brake Lining Manufacturer

WB

The best known name
for truck & bus parts

Commercial Vehicle WB Product catalogue

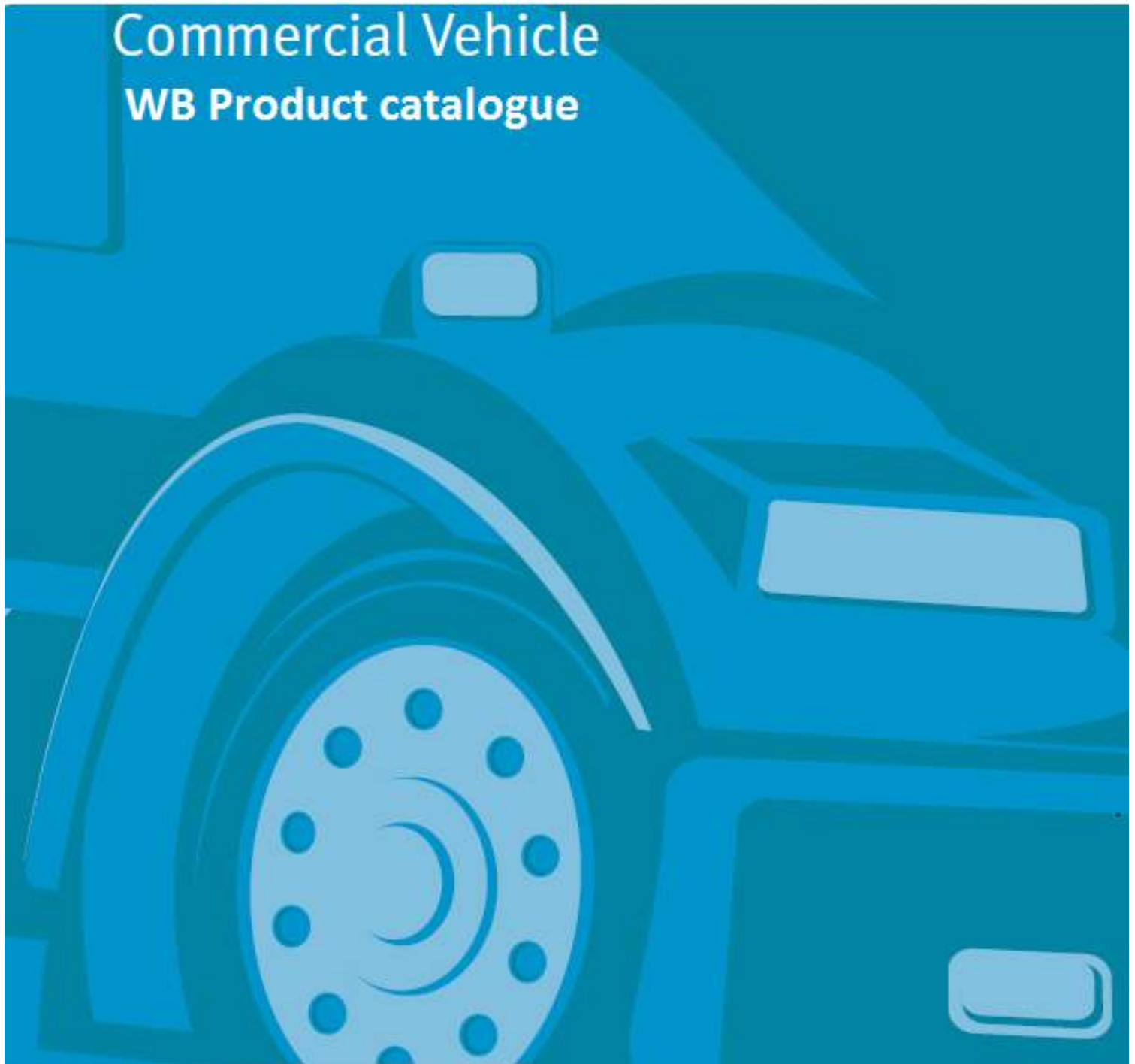
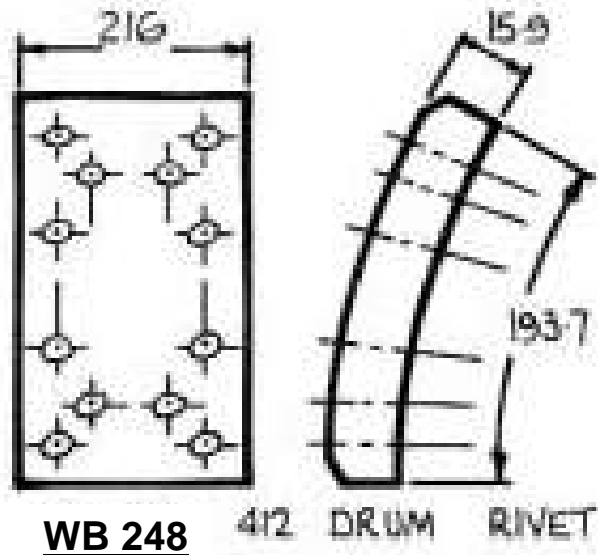


Table of Contents

WB 248 – Hino R	4
WB 249 – Hino F.....	5
WB 253 – Isuzu R.....	6
WB 264 – Isuzu F/R	7
WB 276 – Isuzu F.....	8
WB 277 – Isuzu F.....	9
WB 282 – Mitsubishi F/R.....	10
WB 283 – Mitsubishi F	11
WB 284 / WB 217– Mitsubishi R.....	12
WB 285 – Hino F.....	13
WB 287 – Hino F.....	14
WB 288 – Hino R	15
WB 289 – Hino F.....	16
WB 290 – Hino R	17
WB 291 – Hino R	18
WB 292 – Isuzu R.....	19
WB 298 – Commercial.....	20
WB 305 – Isuzu F.....	21
WB 311– Isuzu R	22
WB 316 – Mitsubishi/UD F.....	23
WB 317 – Isuzu R.....	24
WB 320 – Nissan R	25
WB 321 – Hino F.....	26
WB 325 – Mitsubishi/UD R	27
WB 326 – Mitsubishi/UD R	28
WB 327 – Mitsubishi/UD R	29
WB 329 – Mitsubishi R.....	30
WB 331 – Mitsubishi F	31
WB 333 – Hino R	32
WB 334 – Hino F.....	33
WB 335 – Nissan UD R	34
WB 336 / WB 340 – Nissan UD F.....	35
WB 338 – Hino F.....	36
WB 347 / WB 501 Hino/Isuzu F/R.....	37
WB 404 – Isuzu F/R	38
WB 415 – Isuzu F/R	39

WB 416 – Nissan F.....	40
WB 417 – Nissan R	41
WB 505 / WB FD1J – Hino R.....	42
WB 588 – Isuzu F.....	43
WB 589 / WB 402 – Isuzu R.....	44
WB 596 / WB 504 – Hino R	45
WB FG8J – Hino R.....	46
WB FK62 – UD/Mitsubishi F	47
WB FM/FN – UD/Mitsubishi R	48
WB MQ3/4 – Trailer Exles R.....	49
WB SV40/1 – Scania	50
WB SV41/1 – Scania	51
WB SV42/2 – Scania	52
WB VL86/1 – Volvo	53
WB VL87/1 – Volvo	54
WB VL88/1 – Volvo	55
WB MP30/1 – Mercy.....	56
WB MP31/1 – Mercy.....	57
WB MP32/1 – Mercy.....	59
WB MP36/1 – Mercy.....	61
WB MB 76/77 – Mercy.....	62
WB BC 36/1 – BPW Trailer Exles	63
WB LYKB 12/1/2 – Trailer Exles.....	64
WB 4720 – Kenworth F	65
WB 4515 – Kenworth R.....	66
WB 4707 – Kenworth R.....	67
Friction Sheet	68
Disc Pads WB29087.....	69
Disc Pads WB29095.....	70
Disc Pads WB29173.....	71
Disc Pads WB29174.....	72
Disc Pads WB29125.....	73
Disc Pads WB29126.....	74
Disc Pads WB29247.....	75
Disc Pads WB29245.....	76

WB 248 – Hino R



Hino Commercial for Rear Wheel

Part No. WB 248

Name / ref no.	Length (mm)	Width (mm)	Thickness	Drum dia.	Pcs/set	River Per Set
WB 248	211mm	216mm	15.5mm	412mm	8	96/L9

Application model:

Hino Commercial:

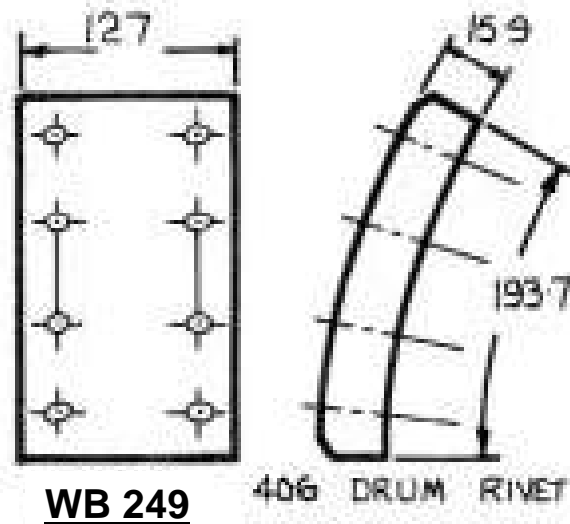
HINO TRUCK

FM1J RANGER 14 J08C-TG 8.0L 1996-03 REAR LININGS
 FM1J RANGER PRO14 J08C-UK 8.0L 2003-08 REAR LININGS
 FS1K 1992-98 WINGS K13C-TF 13.0L 1992-98 REAR LININGS
 FS1K 1998- "H" RANGER 50 K13C-TF 13.0L 1998-05 REAR LININGS

HINO BUS

RC320 DK20 1970- REAR LININGS 9" BRAKES
 RG197 BUS H06CTE 6.5L 1986-96 REAR LININGS
 RG1J RG230 BUS J08C-TF 8.0L 1996- REAR LININGS

WB 249 – Hino F



Hino Commercial for Front Wheel

Part No. WB 249

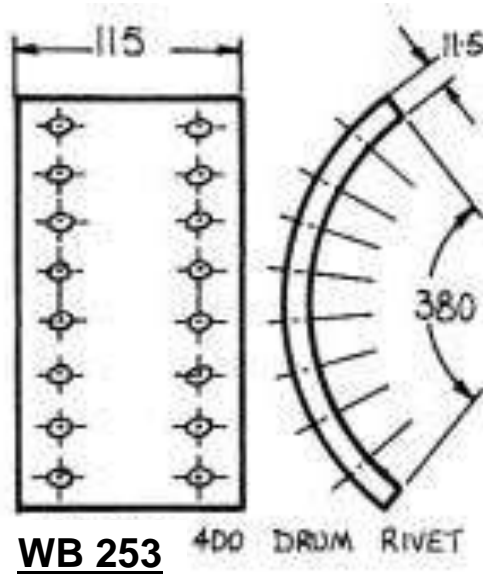
Name / ref no.	Length (mm)	Width (mm)	Thickness	Drum dia.	Pcs/set	River Per Set
WB 249	212mm	127mm	15.5mm	406mm	8	64/L9

Application model:

Hino Commercial:

FG17*L 1986- FG172L FG175L FG177L H07C 6.7L 1986-1992
 FG19*L 1986- FG192L FG197L H06CTE 6.5L 1986-1992
 FG1J 1996- RANGER J08C-TF 8.0L 1996-2003
 FG1J 2003- RANGER PRO J08C-UK 8.0L 2003-2008
 FG8J 2008- J08E-TB 7.7L 2008-2011
 FG8J 2011- J08E-VD 7.7L 2011-on
 FM3M 1990- SHRIKE M10C 9.9L 1990-1994
 FS270 1983- SUPER DOLPHIN EK100- 13.3L 1983-1992
 GH1H 1992- SUPER EAGLE H06CTI 6.5L 1992-1996
 GH1J 1996- RANGER 10 J08C-TG 8.0L 1996-2003
 GH1J 2003- RANGER PRO J08C-UK 8.0L 2003-2008
 GH3H 1992- EAGLE H07D 7.4L 1992-1996
 GH8J 2008- 500- SERIES 1727- J08E-TB 7.7L 2008-2011
 GH8J 2011- J08E-VD 7.7L 2011-
 GS22* 1983- GS221 GS224K EM100- 9.4L 1983-1988
 GS22 1983-1988 GS221 GS224K EM100- 9.4L
 RC320 DK20 1970-1981
 RG197 1986-1996 BUS H06CTE 6.5L
 RG 230 1995-

WB 253 – Isuzu R



Isuzu Commercial for Rear Wheel

Part No. WB 253

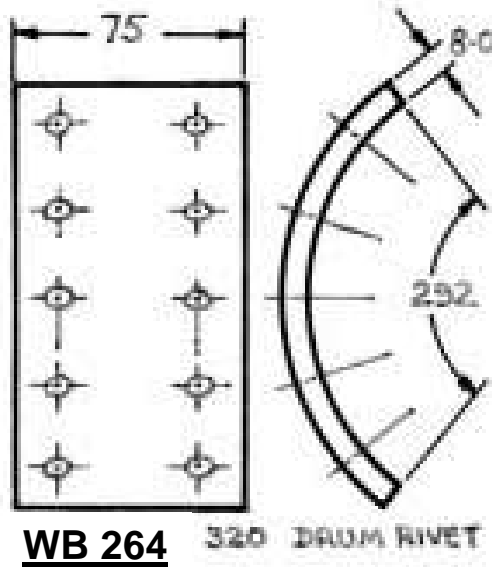
Name / ref no.	Length (mm)	Width (mm)	Thickness	Drum dia.	Pcs/set	River Per Set
WB 253	406mm	115mm	15.5mm	400mm	4	64/L7

Application model:

Isuzu Commercial:

FSS12 1992-96
FSS33 1996-2000
FSS34 2003-2007
FTS12 1984-86
FTR12 1984-86
FTR11 1984-86
FSR32 1992-96
FSR12 1986-92
FSR33 1996-2002
FSR32 TURBO 2000-03
JBR 1975-78
ECR570 BUS
JCR 1978-84
FSR34 2003-2007
FTS33 1996-2002
FTS34 2003-2007
FSS12 1986-92
FSR11 1986-92
FTS12 1986-96

WB 264 – Isuzu F/R



Isuzu Commercial for Front/Rear Wheel

Part No. WB 264

Name / ref no.	Length (mm)	Width (mm)	Thickness	Drum dia.	Pcs/set	River Per Set
WB 264	307mm	75mm	8mm	320mm	4	40/L7

Application model:

Isuzu Commercial:

K - Series

KS 21 1976-82

KS 22, KS32 1982 – 85

N – Series

NPR 250 1994-on

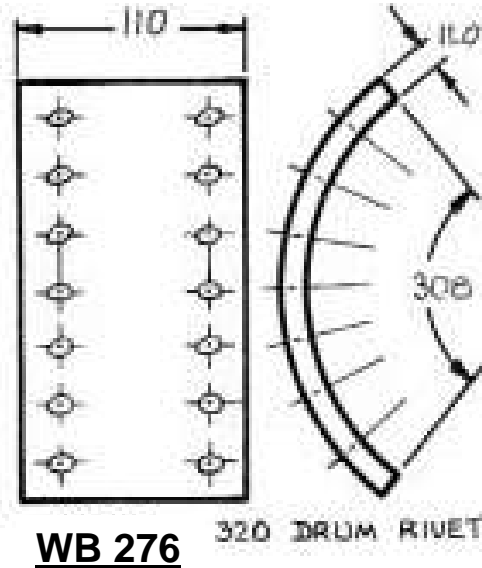
NPR 400 1989-on

NPR 59LT 1985-88

NPR59P, PJ, PR 1986-88

NPS 300 4X4 1992-on

WB 276 – Isuzu F



Isuzu Commercial for Front Wheel

Part No. WB 276

Name / ref no.	Length (mm)	Width (mm)	Thickness	Drum dia.	Pcs/set	River Per Set
WB 276	332mm	110mm	11mm	320mm	4	56/L7

Application model:

Isuzu Commercial:

FSR11 1984-1992

FSR12 1984-1992

SBR 1981-1984

FRR32 6HE1-TC 7.1L 2000-03

FRR33 6HH1 8.2L 1996-03

FRR34 -08 6HK1T 7.8L 2003-08

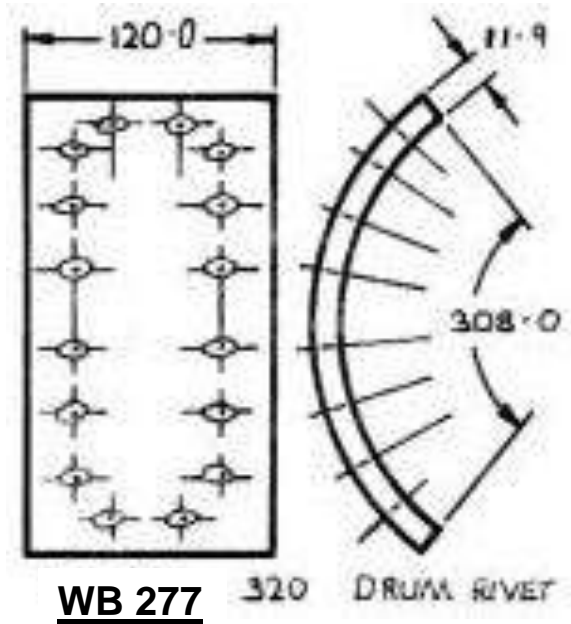
FSR11 FSR12 16" 84-86 RND 6BD1/T/6BG 5.8L/6.5L 1984-86

FSR11 FSR12 16" 1986-92 SQ 6BD1/T/6BG 5.8L/6.5L 1986-92

FSR32 1992-96 16" 6HE1 7.1L 1992-96

SBR422 16" WHEELS 6BB1 5.4L 1981-84

WB 277 – Isuzu F



Isuzu Commercial for Front Wheel

Part No. WB 277

Name / ref no.	Length (mm)	Width (mm)	Thickness	Drum dia.	Pcs/set	River Per Set
WB 277	332mm	120mm	12mm	320mm	4	64/L7

Application model:

Isuzu Commercial:

FSR 11- FSR 12 1984-1992

SCR 1981 – 1984

FRR 32 1998-2000

FRR 33 1996-2000

FSR 32 1992-1996 / FSR 500 SHOR'

FSR 32 1992-1996 / FSR 500 All

FRR 33 2000-2002

FRR 32 2000-2002

FRD 34 2000-2004

FRR 32 2000-2002 Crew Cab

FRR 33 2000-2002 Crew Cab

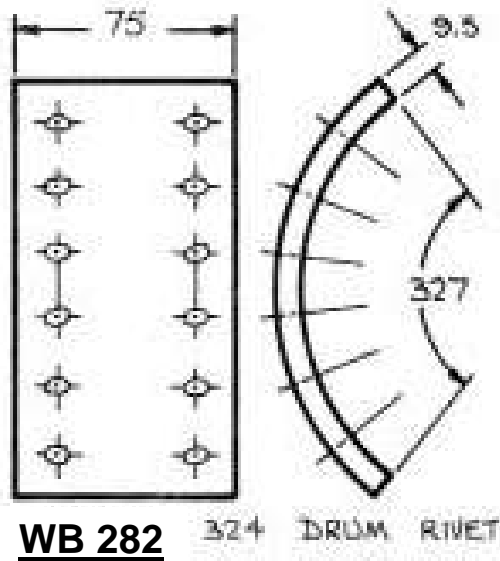
FRR 34 2002-2007

FRR 34 2002-2007 Crew Cab

FRD 34 2005-2007

FRR 34 2007-2011 Euro4

WB 282 – Mitsubishi F/R



Mitsubishi Commercial for Front/Rear Wheel

Part No. WB 282

Name / ref no.	Length (mm)	Width (mm)	Thickness	Drum dia.	Pcs/set	River Per Set
WB 282	348mm	75mm	9.5mm	320mm	4	48/L7

Application model:

Mitsubishi Commercial:

Canter Series

FC212, FE211C, FE211E, FE214E, FE211ELG 1982-85 (F&R)

FC432C,E, FE434C 1986-92 (F&R)

FE334, FE339, FE439, FE449 1991-95 (F&R)

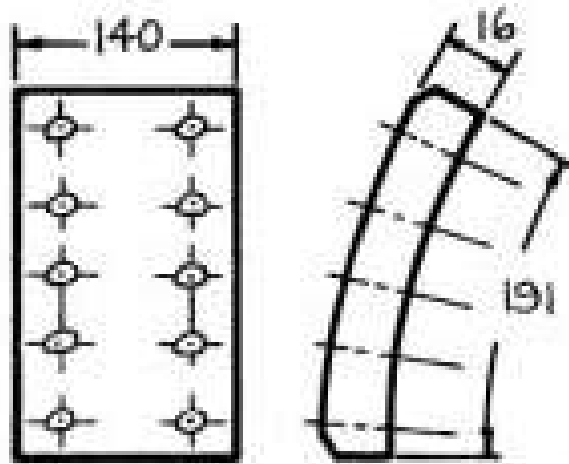
FE444C, E 1986-92 (F&R)

FE537, FE539 C/Chas, FE639 SWB, FE647E, FE649E 1995-on (F&R)

Daihatsu Commercial

Delta Series V79 R 1984-89

WB 283 – Mitsubishi F



WB 283 410 DRUM RIVET

Mitsubishi Commercial for Front Wheel

Part No. WB 283

Name / ref no.	Length (mm)	Width (mm)	Thickness	Drum dia.	Pcs/set	River Per Set
WB 283	207mm	140mm	16mm	410mm	8	80/L9

Application model:

Mitsubishi Commercial:

FK557F 1989-1992

FM557 1989-1991

FM658 1995-1998

FM557 1991-1995

FV415 1985-1995

FM657 1995-1998

FV458 1985-1995

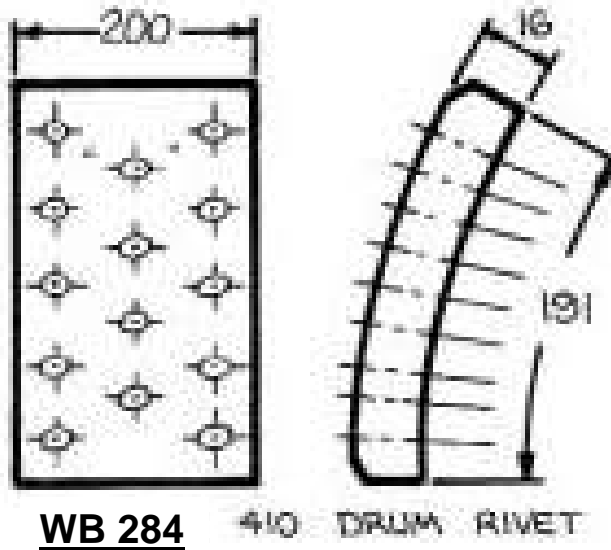
FS428 1987-1996

FV418 1987-1996

FM555 1988-1990

FP418 1985-1997

WB 284 / WB 217– Mitsubishi R



Mitsubishi Commercial for Rear Wheel

Part No. WB 284

Name / ref no.	Length (mm)	Width (mm)	Thickness	Drum dia.	Pcs/set	River Per Set
WB 284	207mm	200mm	16mm	410mm	8	112/L9

Application model:

Mitsubishi Commercial:

FM657 1995-1998

FM658 1995-1998

FM557 1989-1991

FV415 1985-1995

FV458 1985-1995

FM557 1991-1995

FM658 FIGHTER 1998-2002

FP418 1985-1997

FM677 FIGHTER 1998-2002

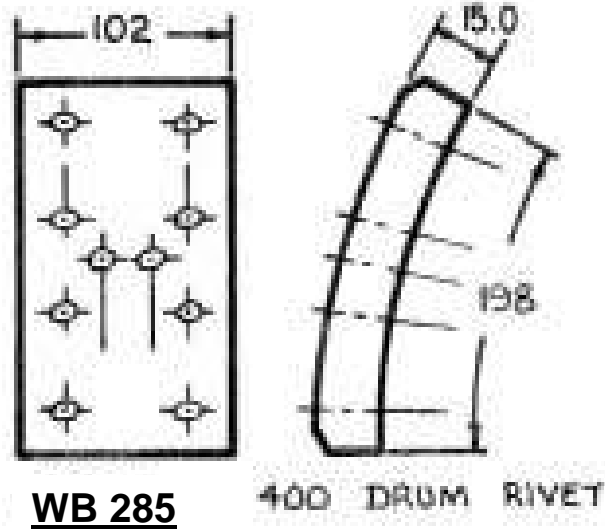
FV418 1987-1996

FM555 1988-1990

FM657 FIGHTER 1998-2002

FS428 1987-1996

WB 285 – Hino F



Hino Commercial for Front Wheel

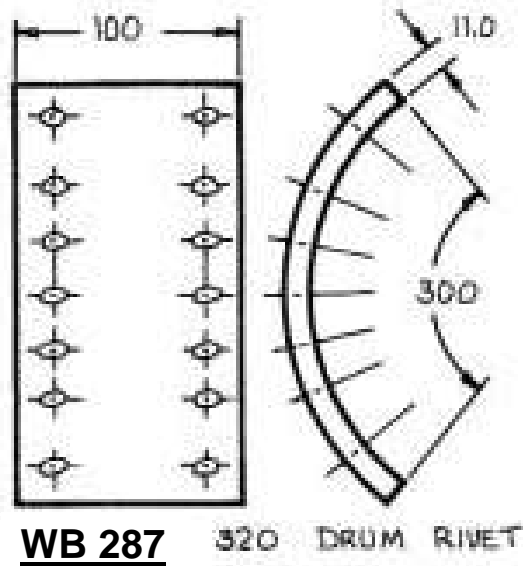
Part No. WB 285

Name / ref no.	Length (mm)	Width (mm)	Thickness	Drum dia.	Pcs/set	River Per Set
WB 285	214mm	102mm	15mm	400mm	8	80/L9

Application model:

Hino Commercial:
 FE3H RAVEN 1991-1996
 FF17*K 1981-1985 FF172K FF173K FF177K
 FF17*L 1986-1989 FF172L FF173L FF177L
 FF19*K 1981-1985 FF192K FF193K FF197K
 FF19*L 1986-1991 FF192L FF193L FF197L
 FT3W KESTREL 1991-1996
 GD16*L 1986-1991 GD164L GD166L GD
 GD17*K 1981-1986 GD174K GD176K GD
 GD3H HARRIER 1991-1996
 GT17*K 1981-1986 GT173K
 GT17*M 1986-1991 GT175M

WB 287 – Hino F



Hino FC Commercial for Front Wheel

Part No. WB 287

Name / ref no.	Length (mm)	Width (mm)	Thickness	Drum dia.	Pcs/set	River Per Set
WB 287	322mm	100mm	11mm	320mm	4	56/L7

Application model:

Hino Commercial:

FC14K

FD17K

FC144

FB4 FB4J RANGER 4 J05C 5.3L 1996-03

FC144K FC146 K FLEETER W06D 5.8L 1985-92

FC3W MERLIN W06E 6.0L 1992-96

FD174K FD176K FD17*K EH700 6.4L 1981-86

DUTRO XZU410 99-03 J05C 5.3L1999-03

DUTRO XZU411 99-03 S05D 4.9L1999-03

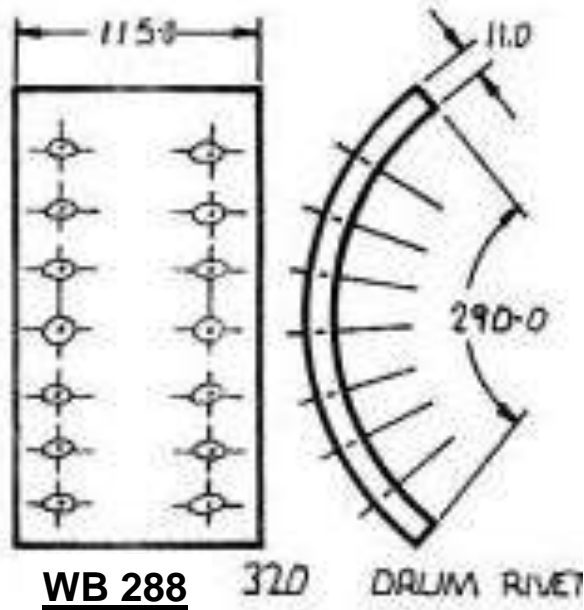
DUTRO XZU414 6 STUD S05C-TB 4.6L 2003-07

DUTRO XZU420 99-03 J05C 5.3L1999-03

DUTRO XZU424 6 ST DRUM S05C-TB 4.6L 2003-07

DUTRO XZU430 99-03 J05C 5.3L 1999-03

WB 288 – Hino R



Hino FC Commercial for Rear Wheel

Part No. WB 288

Name / ref no.	Length (mm)	Width (mm)	Thickness	Drum dia.	Pcs/set	River Per Set
WB 288	311mm	115mm	11mm	320mm	4	56/L7

Application model:

Hino Commercial:

FC14K FLEETER

FD 17K

FB4 FB4J RANGER 4 J05C 5.3L 1996-03

FC3W MERLIN W06E 6.0L 1992-96

FD174K FD176K FD17*K EH700 6.4L 1981-86

DUTRO XZU411 M

DUTRO XZU410 M 99-03 J05C 5.3L 1999-03

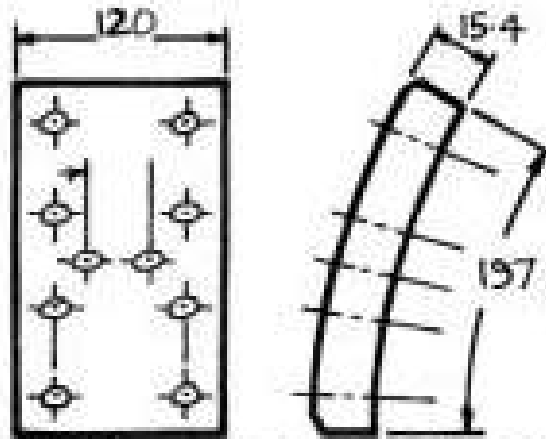
DUTRO XZU414 STUD S05C-TB 4.6L 2003-07

DUTRO XZU424 6 ST DRUM S05C-TB 4.6L 2003-07

DUTRO XZU420 M S05C-TB 4.6L 2003-07

DUTRO XZU430 M 99-03 J05C 5.3L 1999-03

WB 289 – Hino F



WB 289 400 DRUM RIVET

Hino AK Commercial for Front Wheel

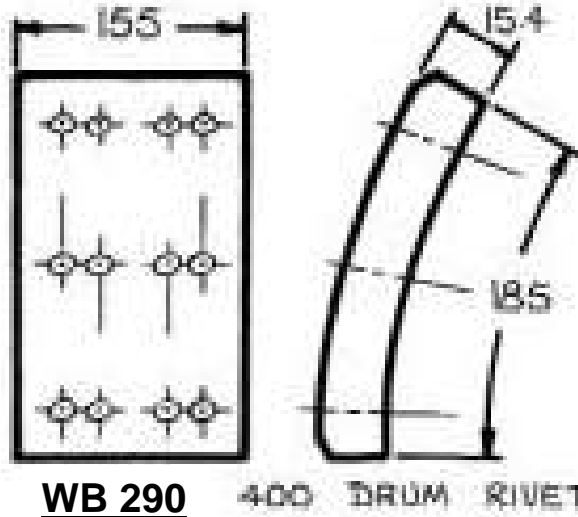
Part No. WB 289

Name / ref no.	Length (mm)	Width (mm)	Thickness	Drum dia.	Pcs/set	River Per Set
WB 289	213mm	120mm	15.5mm	400mm	8	80/L9

Application model:

Hino Commercial:	Mitsubishi/Fuso Commercial:	UD Commercial:
FT8J 1022 2008-11 EURO 4 GT3H OSPREY 1991-96 GD8J 1227 2008-11 EURO 4 FF1J RANGER 8 1996-2002 FF2H GRIFFON 1991-96 GT1J RANGER 8Z 1996-2002 FT1J RANGER PRO 5Z 2003- GD1J RANGER 7 1996-2002 RK176 BUS GT8J 1322 2008-11 EURO 4 FT1J RANGER 5Z 1996-2002 BX341 BUS AK176 BUS 1990-1992 GT8J 1322 EURO 5 2011- GT1J RANGER PRO 8Z 2003- 2007 GD1J RANGER PRO 7 2003-	FM618 1995-1998 FK617 1995-10/1997 FM61F FIGHTER 8 2003-2008 FK457 1991-1995 FK457 1989-4/1991 FK417 1991-1995 FK618 FIGHTER 10/1997-2002 FM618 FIGHTER 1998-2002 FK455 1987-1991 FK61F FIGHTER 6 & 7 10/2002-10/2007 FM517 1991-1995 FK417 1989-4/1991 FM515 1985-1989	CPB88 1993-1996 CPB12 1984-1990 CPB14 1989-1992 CPB87 1989-1993 PKB210/PK235 1996- 2002 CPA87 1989-1993

WB 290 – Hino R



Hino AK Commercial for Rear Wheel

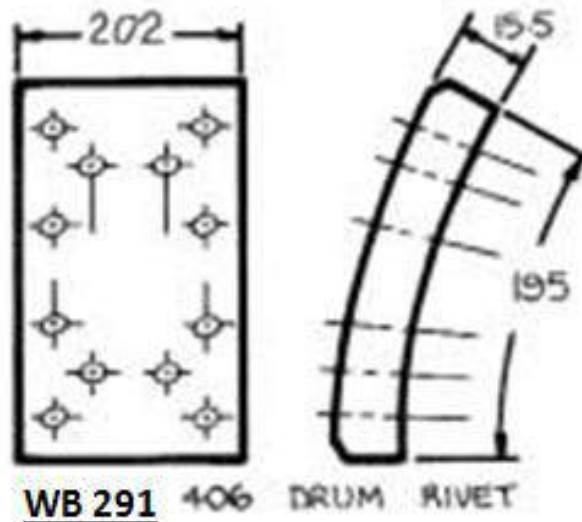
Part No. WB 290

Name / ref no.	Length (mm)	Width (mm)	Thickness	Drum dia.	Pcs/set	River Per Set
WB 290	200mm	155mm	15.5mm	400mm	8	96/L9

Application model:

Hino Commercial:	Mitsubishi/Fuso Commercial:	UD Commercial:
GT8J 1322 2008-11 EURO 4 FF1J RANGER 8 1996-2002 BX341 BUS GD1J RANGER 7 1996-2002 GD1J RANGER PRO 7 2003- GD8J 1227 2008-11 EURO 4 RK176 BUS GT1J RANGER 8Z 1996-2002 GT3H OSPREY 1991-96 GT8J 1322 EURO 5 2011- FF2H GRIFFON 1991-96 GT1J RANGER PRO 8Z 2003- 2007 AK176 BUS 1990-1992	FM515 1985-1989 FM61F FIGHTER 8 2003- 2008 FK61F FIGHTER 6 & 7 10/2002-10/2007 FM517 1991-1995 FK457 1989-4/1991 FM618 1995-1998 FK455 1987-1991 FK417 1989-4/1991 FK417 1991-1995 FK617 1995-10/1997 FM618 FIGHTER 1998-2002 FK457 1991-1995 FK618 FIGHTER 10/1997- 2002	CPB87 1989-1993 PKB210/PK235 1996- 2002 CPA87 1989-1993 CPB14 1989-1992 CPB88 1993-1996 KG46S CRANE CPB12 1984-1990

WB 291 – Hino R



Hino Commercial for Rear Wheel

Part No. WB 291

Name / ref no.	Length (mm)	Width (mm)	Thickness	Drum dia.	Pcs/set
WB 291	211mm	202mm	15mm	406mm	8

Application model:

HINO TRUCK:

FG17*L 1986-1992 FG172L FG175L FG177L H07C 6.7L

FG19*L 1986-1992 FG192L FG197L H06CTE 6.5L

FG1J 1996-2003 RANGER J08C-TF 8.0L

FG1J 2003-2008 RANGER PRO J08C-UK 8.0L

FG8J 2008-2011 J08E-TB 7.7L

FG8J 2011- J08E-VD 7.7L

FM3M 1990-1994 SHRIKE M10C 9.9L

FS270 1983-1992 SUPER DOLPHIN EK100- 13.3L

FT175 1985-1980

GH1H 1992-1996 SUPER EAGLE H06CTI 6.5L

GH1J 1996-2003 RANGER 10. J08C-TG 8.0L

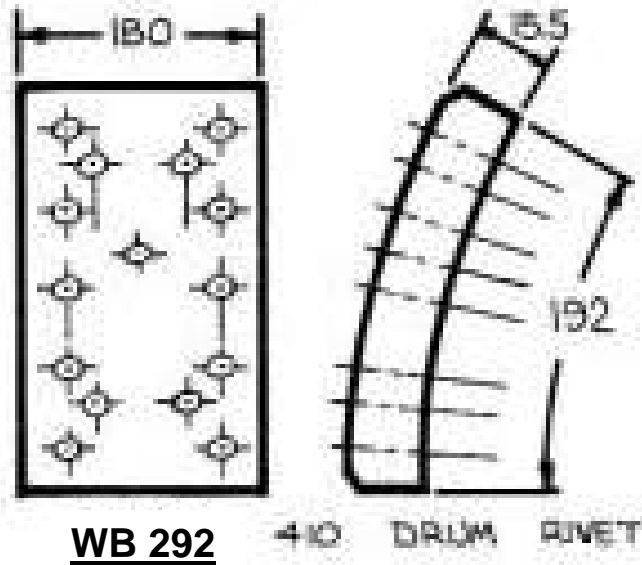
GH1J 2003-2008 RANGER PRO J08C-UK 8.0L

GH3H 1992-1996 EAGLE H07D 7.4L

GH8J 2008-2011 500-SERIES 1727- J08E-TB 7.7L

GH8J 2011- J08E-VD 7.7L

WB 292 – Isuzu R



Isuzu Commercial for Rear Wheel

Part No. WB 292

Name / ref no.	Length (mm)	Width (mm)	Thickness	Drum dia.	Pcs/set	Rivet Per Set
WB 292	208mm	180mm	15.5mm	410mm	8	120/L11

Application model:

Isuzu Commercial:

CXG16 1983-86

FTR32 5/00-2002

FTR32 5/00-2002

CXH16 1983-86

KT26 1979-84

FTR33 5/2000-10/2002

CXZ16 1983-86

FVZ13 1987-92

FVR13 1987-2/92

CXZ51 GIGA 2000-2004

FVM13 3/92-96

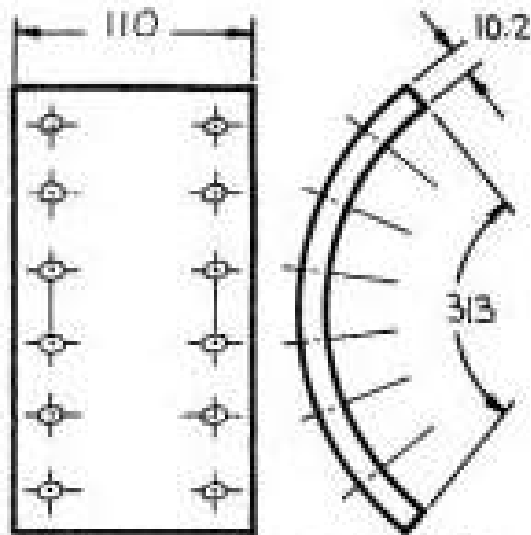
FVM23 2000-2005

FVM13 1988-2/92

CVR16 1983-86

FVM23 1996-2000

WB 298 – Commercial



WB 298 320 DRUM RIVET

Commercial for Front/Rear Wheel

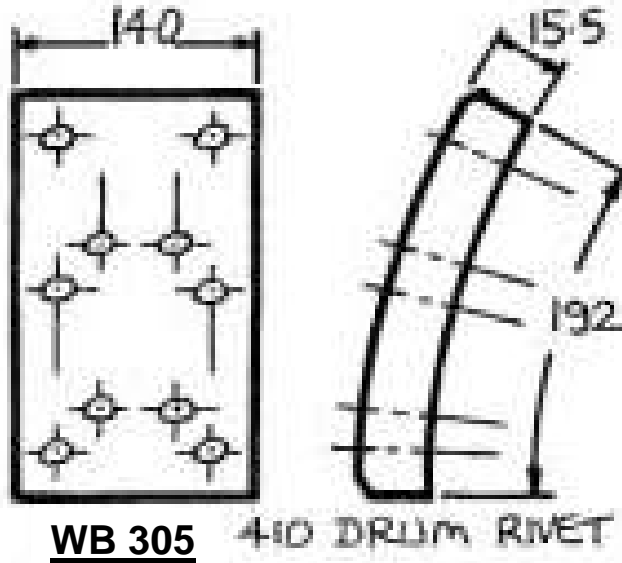
Part No. WB 298

Name / ref no.	Length (mm)	Width (mm)	Thickness	Drum dia.	Pcs/set	River Per Set
WB 298	335mm	110mm	10.5mm	320mm	4	48/L7

Application model:

Mitsubishi/Fuso Commercial:
Canter Series FE657EV, FE657FV 1996-03

WB 305 – Isuzu F



Isuzu Commercial for Front Wheel

Part No. WB 305

Name / ref no.	Length (mm)	Width (mm)	Thickness	Drum dia.	Pcs/set	River Per Set
WB 305	210mm	140mm	15.5mm	410mm	8	80/L11

Application model:

Isuzu Commercial:

FTR 32 1992 – 1999

FTR 33 1996 – 2000

FVM 13 1987 – 1995

FVM 23 1996 – 2000

FVR 11 and FVR 12 1984 – 1986

FVR 13 1987 – 1996

FVZ 13 1987 – 1995

LT1 11 BUS

CXZ 51 1996 – 2000

FSR 32 and FSR 750 1992 – 1996

CVR 1983 – 1986

CXZ 1983 – 1986

CXG 1983 – 1986

CXH 1983 – 1986

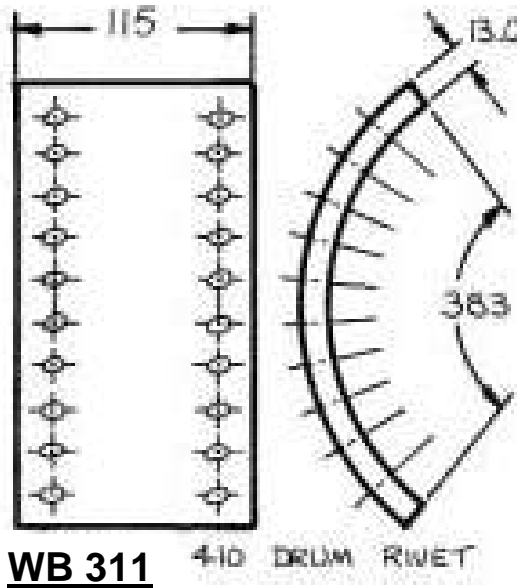
FTR 11 1986 -1990

FTR 12 1986 – 1990

FVM 23 05/2000 – on

FTR 32 2000- on

WB 311– Isuzu R



Isuzu Commercial for Rear Wheel

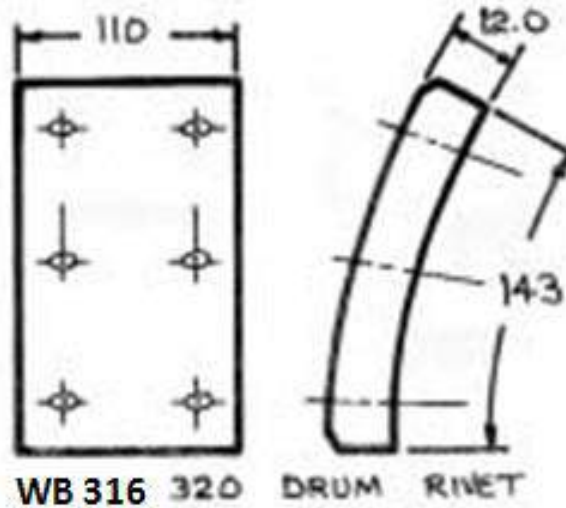
Part No. WB 311

Name / ref no.	Length (mm)	Width (mm)	Thickness	Drum dia.	Pcs/set	River Per Set
WB 311	410mm	115mm	13mm	410mm	4	80/L7

Application model:

Isuzu Commercial:
FSR 33 1996 – 2000
FSS 12 1986 – 1996
FSR 11 and FSR 12 1984 – 1992
FSR 32 1992 - 1996
FSS 33 1996 – 2002
FSR 34 2003 - 2007

WB 316 – Mitsubishi/UD F



Mitsubishi/UD Commercial for Front Wheel

Part No. WB 316

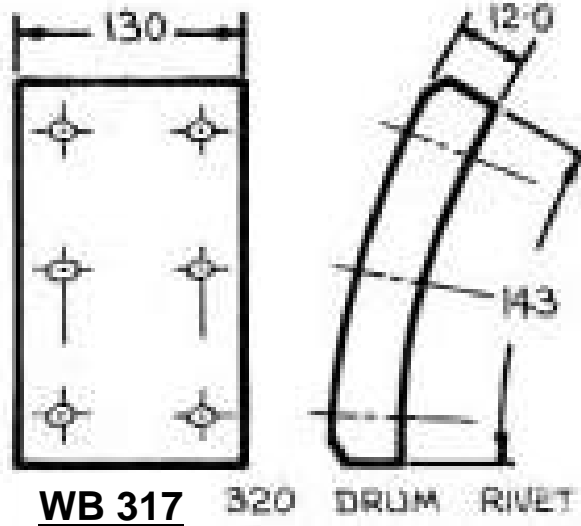
Name / ref no.	Length (mm)	Width (mm)	Thickness	Drum dia.	Pcs/set	River Per Set
WB 317	153mm	110mm	12mm	320mm	8	48/L7

Application model:

MITSUBISHI FUSO
MITSUBISHI FUSO CANTER FH100 1989-1995
MITSUBISHI FUSO TRUCK FK415 1985-1991
MITSUBISHI FUSO TRUCK FK417 1989-4/1991

NISSAN UD
CMA87 1987-1990 N1650- FE6A/B 6.9L
CMB87 1988- FE6B 6.9L
CMF87 1989-1996 FE6A FE6B 6.9L
CMF87 / N1650 1989- FE6B 6.9L
CMF88 1992-1996 FE6T 6.9L
CMF89 1996- FE6T 6.9L
MKA121 1999-2003 MK150 UD FD46T 4.6L
MKA122 2003-2008 MK175 UD FD46T 4.6L
MKB210 1995-2003 MK180 MK185 MK190 MK225- FE6T 6.9L
MKB210 MK235 1995-2003 TDI MK235 UD FE6Ti 6.9L
MKB215 MK24* 2003-2008 MK240 MK245 UD FE6TB 6.9L
MKB215 MK265 2003-2008 MK265 UD FE6TC 6.9L
MKB8 2011- MK11 UD GH7TA/B 7.0L
MKB37 2008-2011 MK6 168KW / 190KW J08-TE / J08-TB 7.7L
MKB35 2008-2011 MK5 UD J05D-TG 7.7L

WB 317 – Isuzu R



Mitsubishi/UD Commercial for Rear Wheel

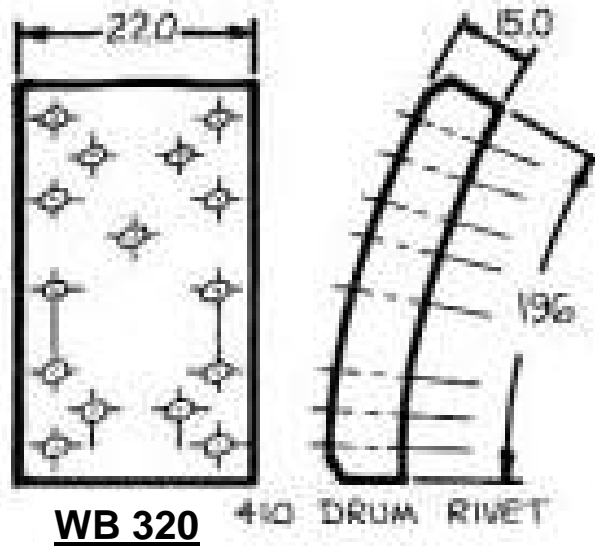
Part No. WB 317

Name / ref no.	Length (mm)	Width (mm)	Thickness	Drum dia.	Pcs/set	River Per Set
WB 317	153mm	130mm	12mm	320mm	8	48/L7

Application model:

mitsubishi fuso
FK 415 1986 – 1989
FK 415 1989 – 1992
FK 417 1989 – 1995
FH 100 1990 – 1995
FK 415 1985 – 1989
FK 415 1986 – 1992
FK 417 1987 - 1995

WB 320 – Nissan R



Isuzu Commercial for Rear Wheel

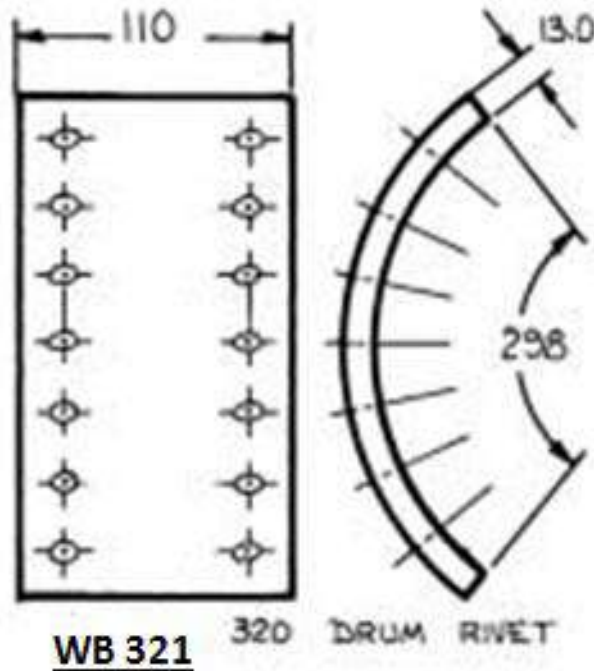
Part No. WB 320

Name / ref no.	Length (mm)	Width (mm)	Thickness	Drum dia.	Pcs/set	River Per Set
WB 320	212mm	220mm	15mm	410mm	8	120/L12

Application model:

NISSAN UD
CGA 46 1989 - 94
CKA 46, CWA 46 1989 - 94
CKB 450 1991 - 93
CWA 310, CW 240 and CW250 1995 – on
CWA 12, CWA14, CWA15, CWA46, CWA70, CWA71 1992-88
CPC 12, CPC14, CPC15 1989 - 94

WB 321 – Hino F



Hino Commercial for Front Wheel

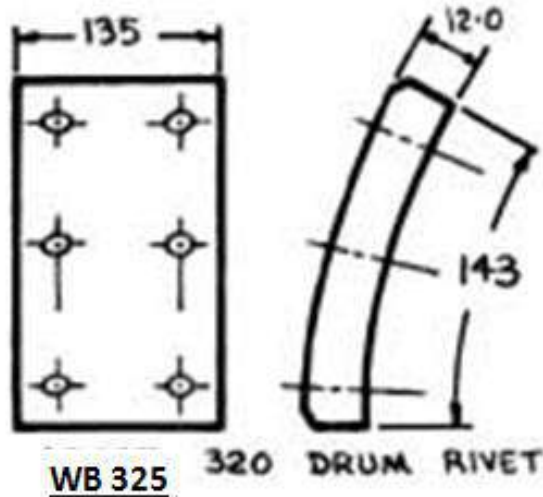
Part No. WB 321

Name / ref no.	Length (mm)	Width (mm)	Thickness	Drum dia.	Pcs/set	River Per Set
WB 321	325mm	110mm	13mm	320mm	4	56/L7

Application model:

HINO TRUCK
 FC3J RANGER 5 1996-2002
 FC4J RANGER PRO 5 2003-2007
 FC6J 1018 2008-11 EURO 4
 FC7J 1022 2011-2016 EURO 5
 FD16*L 1986-1991 FD164L FD166L
 FD1J FD1 RANGER PRO 6 2003-2008
 FD1J RANGER SUPER6 J08CTF 1996-2002
 FD1J RANGER6S 1996-2002
 FD2J RANGER 6 1996-2002
 FD3H FD3W HAWK 1991-96
 FD7J 1024 1124 1026 1126 2011-2016
 FD8J 1024/1027 2008-2011 EURO 4

WB 325 – Mitsubishi/UD R



Mitsubishi/UD Commercial for Rear Wheel

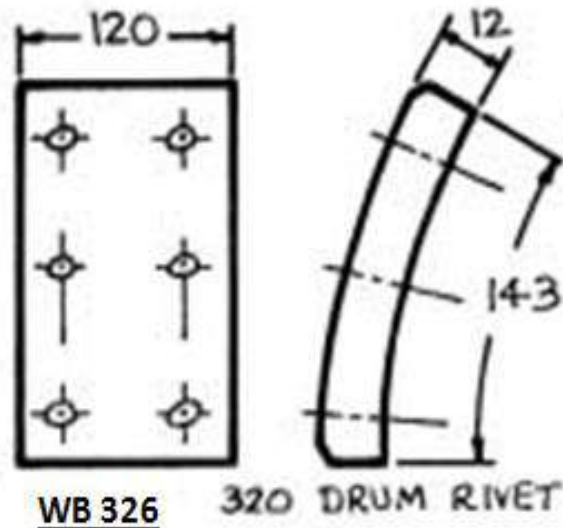
Part No. WB 325

Name / ref no.	Length (mm)	Width (mm)	Thickness	Drum dia.	Pcs/set	River Per Set
WB 325	156mm	135mm	12mm	320mm	8	48/L7

Application model:

NISSAN UD,
 CMB87 1988-1989
 CMF87 CM180 1989-1996
 CMF88 1992-1996
 MK5 / MKB35A 2008-
 MK6 & MK6 PLUS / MKB37A 2008-2011
 MKA121 MK150 1999-
 MKA122 MK175 2003-
 MKB210 MK180 1998-
 MKB210 MK185 MK190 MK225 1996-2000
 MKB210 MK235 1995-2002
 MKB215 MK240 MK245 MK265 2003-
 MKB8E/MK11250
 MK11280 EURO 5 2011-
 CMA 87
 CMF 87, 88, 89

WB 326 – Mitsubishi/UD R



Mitsubishi Commercial for Front Wheel

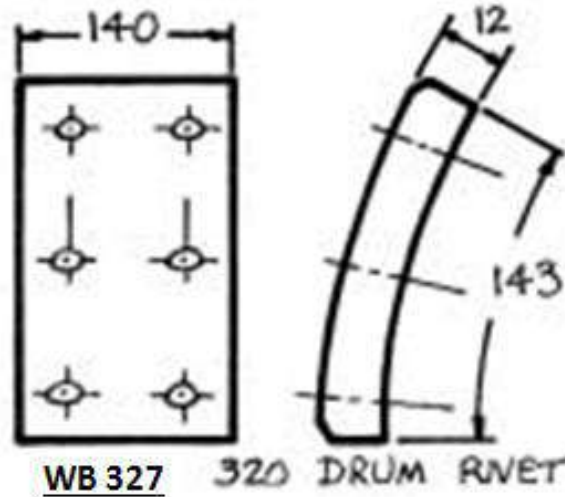
Part No. WB 326

Name / ref no.	Length (mm)	Width (mm)	Thickness	Drum dia.	Pcs/set	River Per Set
WB 326	153mm	120mm	12mm	320mm	8	48/L7

Application model:

MITSUBISHI FUSO
FK 102 1991-1995
FK 415 1989-1992
FK 417 1909-1995
FK 617 1995-1997 (turbo & non-turbo)
FK 617 1998-2002
FK 617 2003- on (Fighter 5 & 6)
FK 618 1995-1998
FK 61F 2003- on (Fighter 6)

WB 327 – Mitsubishi/UD R



Mitsubishi Commercial for Rear Wheel

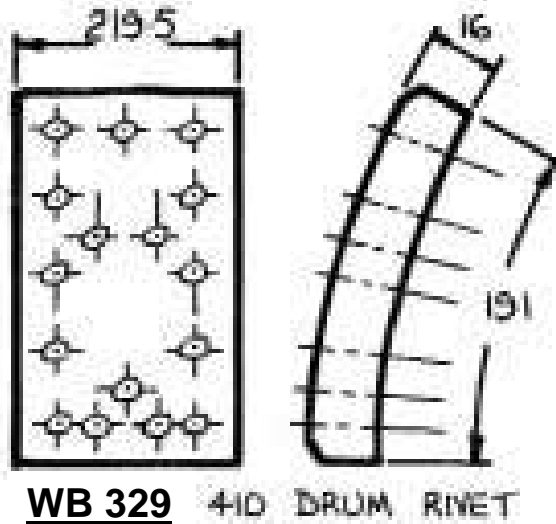
Part No. WB 327

Name / ref no.	Length (mm)	Width (mm)	Thickness	Drum dia.	Pcs/set	River Per Set
WB 327	153mm	140mm	12mm	320mm	8	48/L7

Application model:

MITSUBISHI FUSO
 FK 102 1991-1995
 FK 415 1989-1992
 FK 417 1909-1995
 FK 617 1995-1997(turbo & non-turbo)
 FK 617 1998-2002
 FK 617 2003- on (Fighter 5 & 6)
 FK 618 1995-1998
 FK 61F 2003- on (Fighter 6)

WB 329 – Mitsubishi R



Mitsubishi Commercial for Rear Wheel

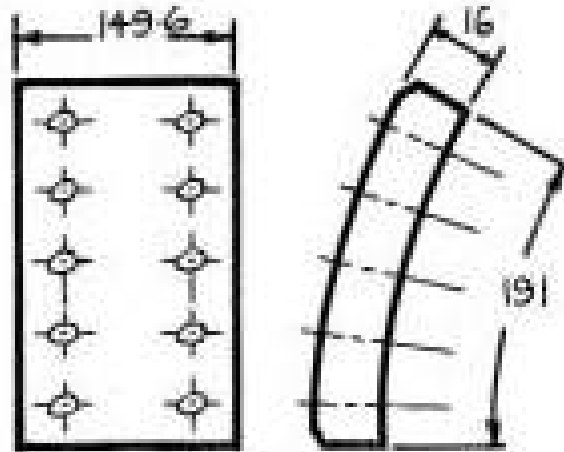
Part No. WB 329

Name / ref no.	Length (mm)	Width (mm)	Thickness	Drum dia.	Pcs/set	River Per Set
WB 329	208mm	220mm	16mm	410mm	8	128/L9

Application model:

MITSUBISHI FUSO
FS415, FS 427, FS428 1996 – on
FP 417FS, FP418NS2 1996-99
FP 547 1998 -
FP 418 1985 – 1997
FS 427 1996 -
FS 428 1987 – 1996
FV 355 1989 - 1996
FV 417 1987 – 1996
FV 418 1987 – 1996
FV 458 1984 – 1995
FP 547 1998 – on
FV 517, FV 547 1998 - on

WB 331 – Mitsubishi F



WB 331 410 DRUM RIVET

Mitsubishi Commercial for Front Wheel

Part No. WB 331

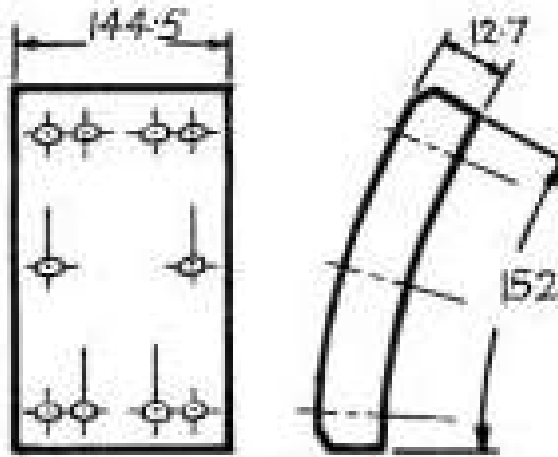
Name / ref no.	Length (mm)	Width (mm)	Thickness	Drum dia.	Pcs/set	River Per Set
WB 331	208mm	150mm	16mm	410mm	8	80/L9

Application model:

MITSUBISHI FUSO

FM65F FIGHTER 10 2003-2008	FN62F FIGHTER14 2003-3/2008
FM677 FIGHTER 1998-2002	FN64F FIGHTER14 2003-2008
FS427 05/1996-	FM658 FIGHTER 1998-2002
FP418 1985-1997	FS428 1987-1996
FS527 1998-2002	FM657 FIGHTER 1998-2002
FP547 7/1998-10/2002	FV54J 1/2008
FV54J 11/2002-2008	FP417 8/1996-7/1998
FP54J 2003-2008	FN62F FIGHTER14 03/2008-11
FN61F FIGHTER14 04/2008-11	FM65F FIGHTER 10 2008-2011
FV517 1998-2002	FM67F FIGHTER 10 2008-11
FV418 1987-1996	FV51J 2008-2011
FM67F FIGHTER 10 2003-2008	FP54J 11/2007-2011
FN63F FIGHTER14 2003-2008	FS52J 11/2002-2008
FS52J 11/2007-2011	FN61F FIGHTER14 06/2002-10/2007
FV458 1985-1995	FV51J 11/2002-2008
FV547 1998-2002	FV417 8/1996-7/1998
FN64F FIGHTER14 2008-2011	

WB 333 – Hino R



WB 333 320 DRUM RIVET

Hino Commercial for Rear Wheel

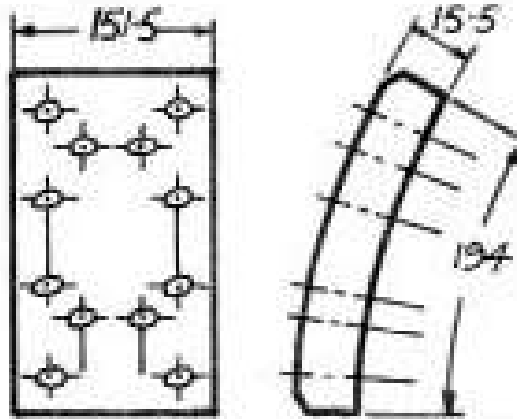
Part No. WB 333

Name / ref no.	Length (mm)	Width (mm)	Thickness	Drum dia.	Pcs/set	River Per Set
WB 333	170mm	145mm	12mm	320mm	8	80/L7

Application model:

HINO TRUCK
 FC4J RANGER PRO 5 2003-2007
 FD3W HAWK 1991-96
 FD1J RANGER6 S 1996-2002
 FC6J 1018 2008-11 EURO 4
 FD2J RANGER 6 1996-2002
 FD1J RANGER SUPER6 J08CTF 1996-2002
 FC3J RANGER 5 1996-2002
 AD2J [BD190] BUS 1996-2002

WB 334 – Hino F



WB 334 406 DRUM RIVET

Hino Commercial for Front Wheel

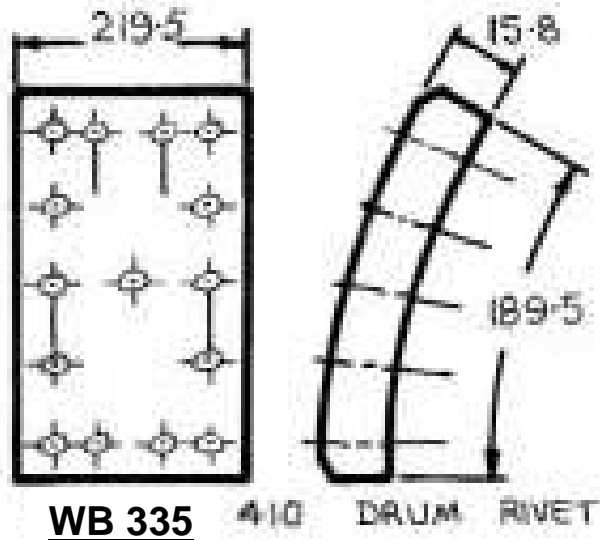
Part No. WB 334

Name / ref no.	Length (mm)	Width (mm)	Thickness	Drum dia.	Pcs/set	River Per Set
WB 334	210mm	151mm	15mm	406mm	8	96/L9

Application model:

HINO TRUCK
 FS1K SUPER DOLPHIN K13C 1992-1996
 FS1E 2844 / 2848 2011- EURO 5
 SS1E 2848 2011- EURO 5
 FM1J RANGER PRO 14 2003-
 FM1A FM2630/FM2632 07/08-2011 EURO 4
 FS1K RANGER 50 1996-2002
 FM1J RANGER 14 1996-2002
 FM1A 2630/2632 2011- EURO 5
 RK8J BUS 2007-
 FL8J 2427 2008-11 EURO 4
 FM8J 2627 2008-11 EURO 4
 FS1E 700 SERIES 2004-2011
 FS1K RANGER PRO 50 AGB 2003-
 SS1E 700 SERIES 2004-2011
 FM8J 2628 2011- EURO 5
 FY1E 3248 2011- EURO 5
 RG1J BUS
 RK1J(SML) 6 SPEED ONLY(NJU)
 FL1J RANGER PRO12 2003-2007

WB 335 – Nissan UD R



Nissan UD Commercial for Rear Wheel

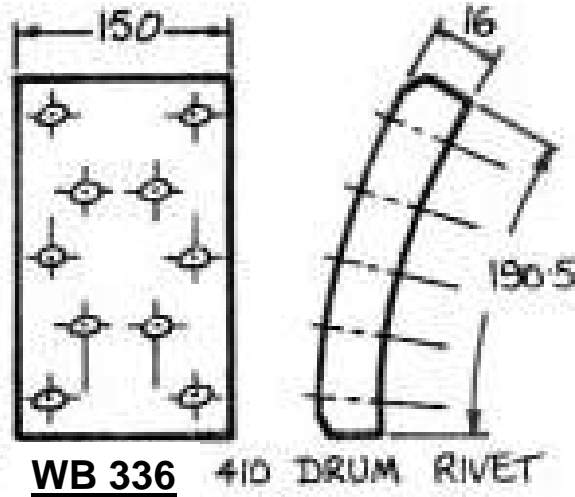
Part No. WB 335

Name / ref no.	Length (mm)	Width (mm)	Thickness	Drum dia.	Pcs/set	River Per Set
WB 335	204mm	219mm	16mm	410mm	8	120/L11

Application model:

Nissan UD TRUCK
 CWB450 8/1991-12/1995
 PK10/ PKC37A 2008-2011
 CKB455/CK290 CK320 1996-
 PKC212/PK255 2000-2003
 PK9/PKC37A 2008-2011
 CWB455/CW320 7/1996 -02/2004
 CKB450 1992-1996
 CWB455/CW350 7/1996 -02/2004
 CWB452/CW290 4/1994-5/1996
 CGB450/CGB452 1992-1996
 CWB452/CW320 4/1994-5/1996
 CWB545/CW545 1999-2002
 PKC310/PK240 PK250 1995-2003
 CKB270/CK330 2000-2002
 PKC210/PK220 PKA220 1999-2002
 CWB455/CW380 07/1996-02/2004
 PKC215/ PK245 PK265 2003-

WB 336 / WB 340 – Nissan UD F



Nissan UD Commercial for Front Wheel

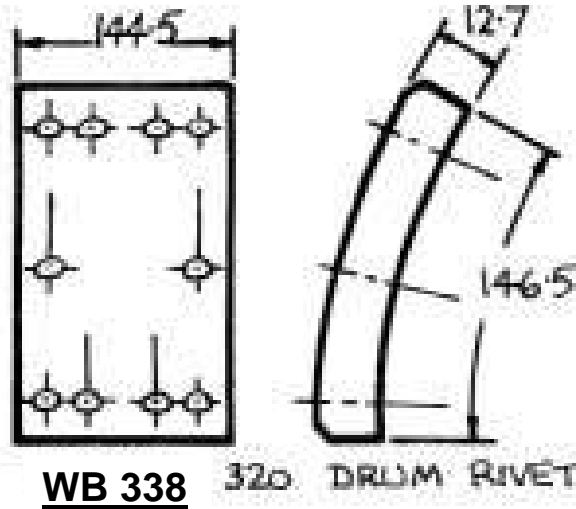
Part No. WB 336

Name / ref no.	Length (mm)	Width (mm)	Thickness	Drum dia.	Pcs/set	River Per Set
WB 336	206mm	150mm	16mm	410mm	8	80/L11

Application model:

Nissan UD TRUCK
 PK10 PKC37A 2008-2011
 CKB455/CK290 CK320 1996-
 UD PKC212/PK255 2000-2003
 UD PK9/PKC37A 2008-2011
 UD CWB455/CW320 7/1996 -02/2004
 UD CKB450 1992-1996
 UD CWB455/CW350 7/1996 -02/2004
 UD CWB452/CW290 4/1994-5/1996
 UD CGB450/CGB452 1992-1996
 UD CWB452/CW320 4/1994-5/1996
 UD CWB452/CW350 4/1994-5/1996
 UD CWB545/CW545 1999-2002
 UD PKC310/PK240 PK250 1995-2003
 UD CKB270/CK330 2000-2002
 UD PKC210/PK220 PKA220 1999-2002
 UD CWB455/CW380 07/1996-02/2004
 UD PKC215/ PK245 PK265 2003-
 PKC212/PK255 2000-2003

WB 338 – Hino F



Hino Commercial for front Wheel

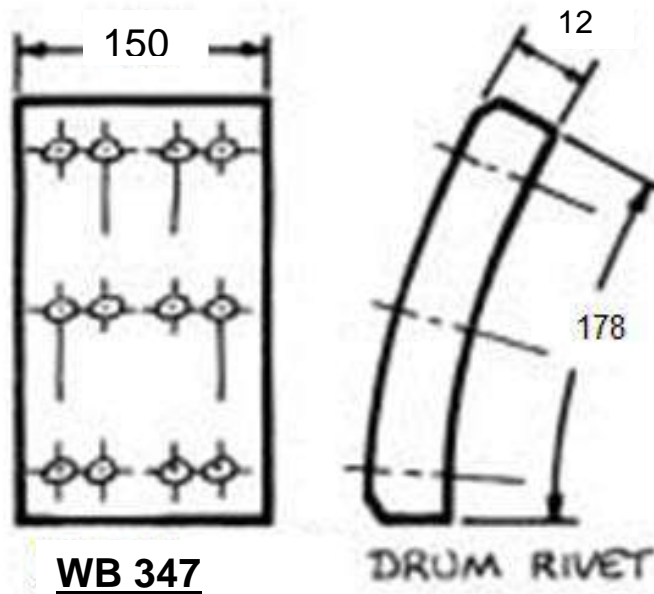
Part No. WB 338

Name / ref no.	Length (mm)	Width (mm)	Thickness	Drum dia.	Pcs/set	River Per Set
WB 338	158mm	144mm	12mm	320mm	8	80/L7

Application model:

HINO TRUCK
FD3H HAWK 1991-96
BD186 BUS

WB 347 / WB 501 Hino/Isuzu F/R



Hino Commercial for Rear Wheel

Isuzu Commercial Front/Rear Wheel

Part No. WB 347

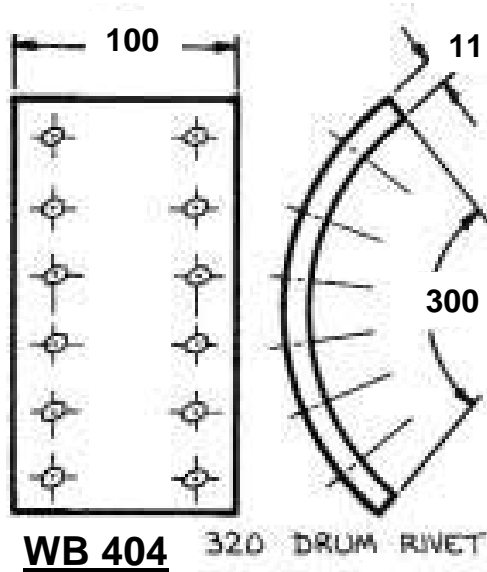
Name / ref no.	Length (mm)	Width (mm)	Thickness	Drum dia.	Pcs/set	River Per Set
WB 347	195mm	150mm	12mm	370mm	8	96/L7

Application model:

Hino Commercial:
FE7J 1426 2011- EURO 5

Isuzu Commercial:
NQR75 2012-2016
NQR75 2008-2011 EURO 4
NQR75 2005-2007
FSD34 2007-2010
FSR34 2007-2010
FSR86 2007-2009
FSR90 2001-2016

WB 404 – Isuzu F/R



Isuzu Commercial for Front/Rear Wheel

Part No. WB 404

Name / ref no.	Length (mm)	Width (mm)	Thickness	Drum dia.	Pcs/set	River Per Set
WB 404	335mm	100mm	11mm	320mm	8	48/L7

Application model

Isuzu Commercial:

NPR 59 1987 – 1994

NPR 66 1991 – 2002

NPR 66 1994 – 1997

NPR 71 1998 – 2002

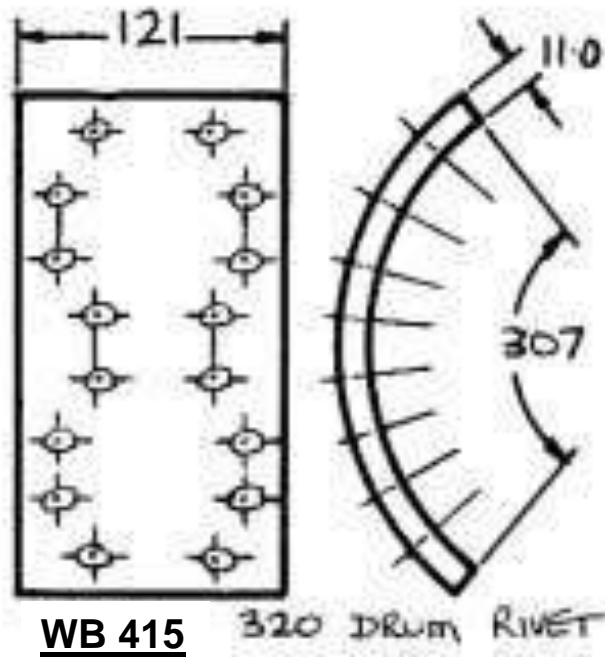
NPS 71 1997 – 2003

NPR 70 2000 – 2003

NPR 75 2008 –

NPR 75 2005 – 2007

WB 415 – Isuzu F/R



Isuzu Commercial for Front/Rear Wheel

Part No. WB 415

Name / ref no.	Length (mm)	Width (mm)	Thickness	Drum dia.	Pcs/set	River Per Set
WB 415	320mm	121mm	11mm	320mm	4	64/L7

Application model:

Isuzu Commercial:

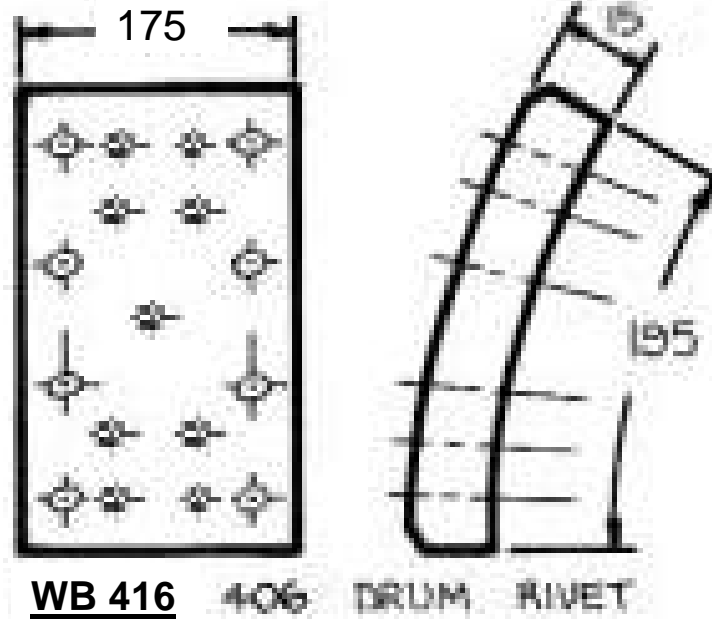
NPR75 6 STD DISC BRAKE 4HK1T 5.2L 2005-2008 REAR LININGS

NQR70 N1R70 4HE1T 4.8L 1996-2005 REAR LININGS

NQR70 NQR 4HE1 4HE1T 4.8L 1996-2005 FRONT LININGS

NQR75 N1R754HK1-TCS 5.2L 2005-2008 REAR LININGS

WB 416 – Nissan F



Nissan UD Commercial for Front Wheel

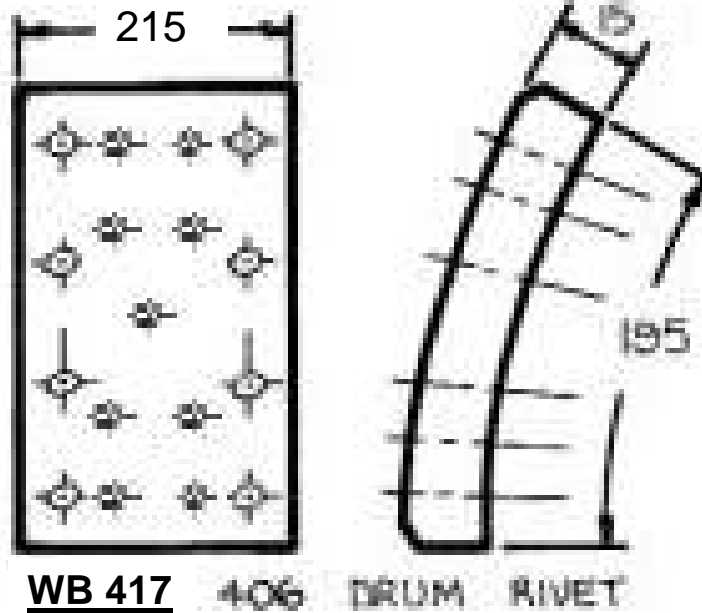
Part No. WB 416

Name / ref no.	Length (mm)	Width (mm)	Thickness	Drum dia.	Pcs/set	River Per Set
WB 416	208mm	175mm	16mm	410mm	8	136/L11

Application model:

Nissan UD TRUCK
PK10 PKC37A

WB 417 – Nissan R



Isuzu Commercial for Front/Rear Wheel

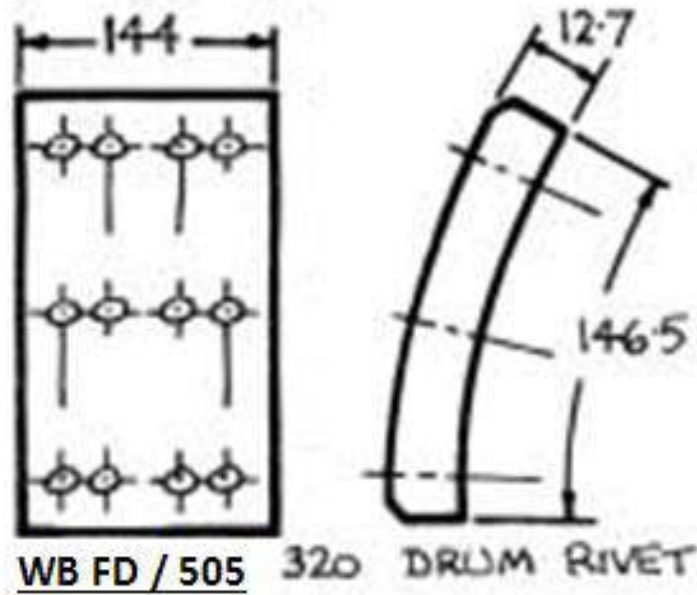
Part No. WB 417

Name / ref no.	Length (mm)	Width (mm)	Thickness	Drum dia.	Pcs/set	River Per Set
WB 417	204mm	215mm	16mm	410mm	8	136/L11

Application model:

Nissan UD TRUCK
PK10 PKC37A

WB 505 / WB FD1J – Hino R



Hino Commercial for Rear Wheel

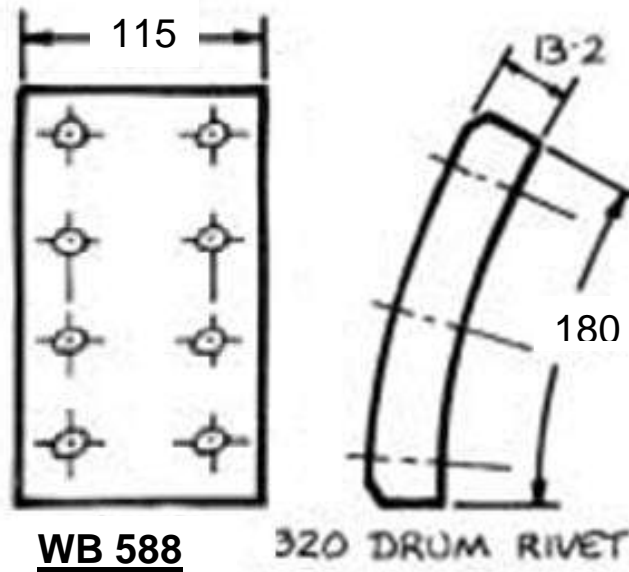
Part No. WB FD1J R / WB 505

Name / ref no.	Length (mm)	Width (mm)	Thickness	Drum dia.	Pcs/set	River Per Set
WB 505	158mm	144mm	12.7mm	320mm	8	96/L7

Application model:

HINO TRUCK:
 FC3J RANGER 5
 FD1J RANGER6S 1996-2002
 FD2J RANGER 6 1996-2002
 FD1J RANGER-PRO 6
 GD 8 J – 500 Series
 FD 8 J – 500 Series
 FC7J 2011 (FFC1022)
 FD7J 2001

WB 588 – Isuzu F



Isuzu Commercial for Front Wheel

Part No. WB 588

Name / ref no.	Length (mm)	Width (mm)	Thickness	Drum dia.	Pcs/set	River Per Set
WB 588	185mm	115mm	13mm	320mm	8	64/L7

Application model:

Isuzu Commercial:

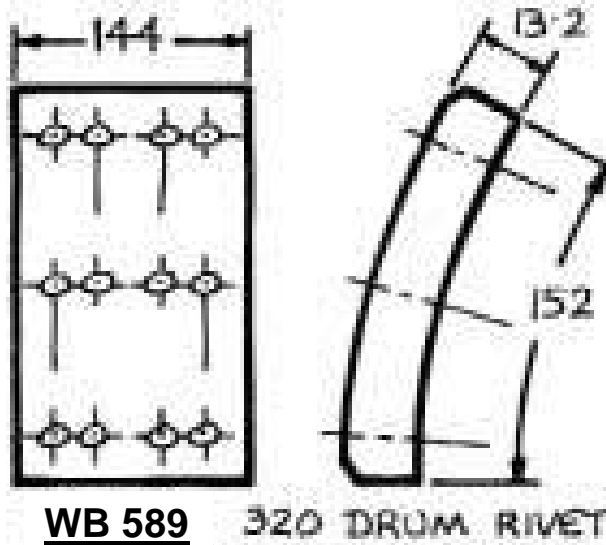
FRR 34 2007 – 2011 Euro4

FTR 150 2000-

FSR 32 FSR 550 all and FSR 500 CREW CAB 1992 – 1996

FTS 139 2000 –

WB 589 / WB 402 – Isuzu R



Isuzu/Hino Commercial for Rear Wheel

Part No. WB 589 / WB 402

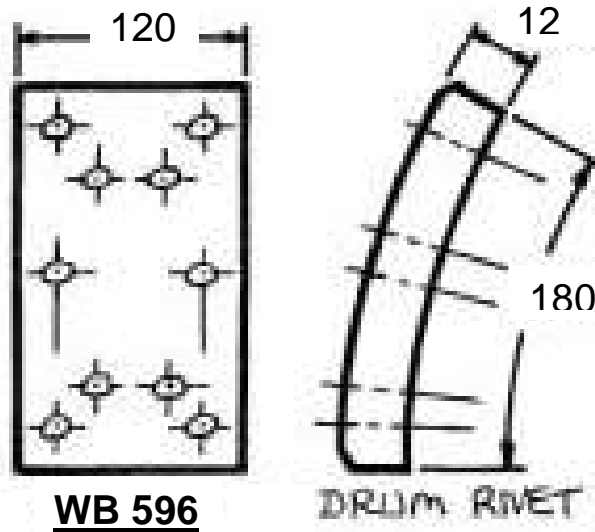
Name / ref no.	Length (mm)	Width (mm)	Thickness	Drum dia.	Pcs/set	River Per Set
WB 402	170mm	144mm	13mm	320mm	8	96/L7

Application model:

Isuzu Commercial:

- FRR 34 2007 – 2011 Euro4
- FRR 32 1998 – 2000
- FRR 33 1996 – 2000
- FSR 32 FSR 500 1992 – 1992
- FSR 32 FSR 550 all and FSR 500 CREW CAB 1992 – 1996
- FRR 33 2000 – 2002
- FRR 32 2000 – 2002
- FRD 34 2000 – 2004
- FRR 32 CREW CAB 2000 – 2002
- FRR 33 CREW CAB 2000 – 2002
- FRR 34 2002 – 2007
- FRR 34 CREW CAB 2002 – 2007
- FRD 34 2005 – 2007
- FRD 90 2008 -

WB 596 / WB 504 – Hino R



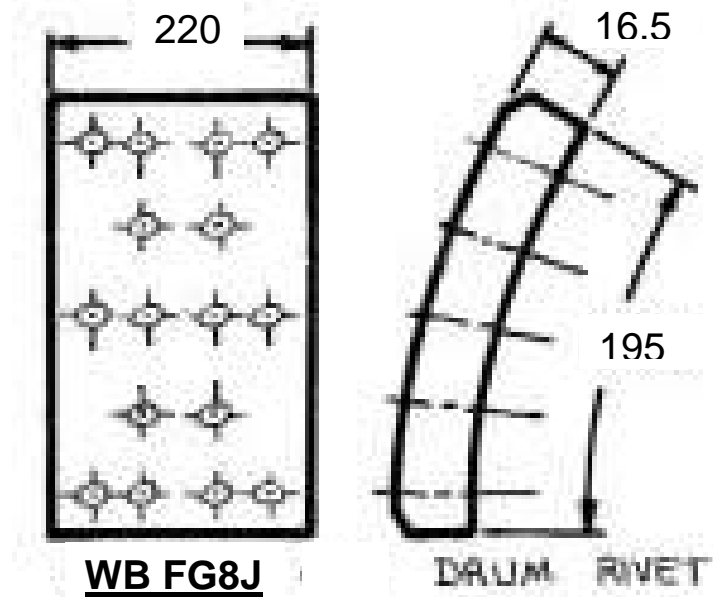
Hino Commercial for Rear Wheel

Part No. WB 596

Name / ref no.	Length (mm)	Width (mm)	Thickness	Drum dia.	Pcs/set	River Per Set
WB 596	185mm	120mm	12mm	370mm	8	80/L7

Application model:

WB FG8J – Hino R



Hino Commercial for Rear Wheel

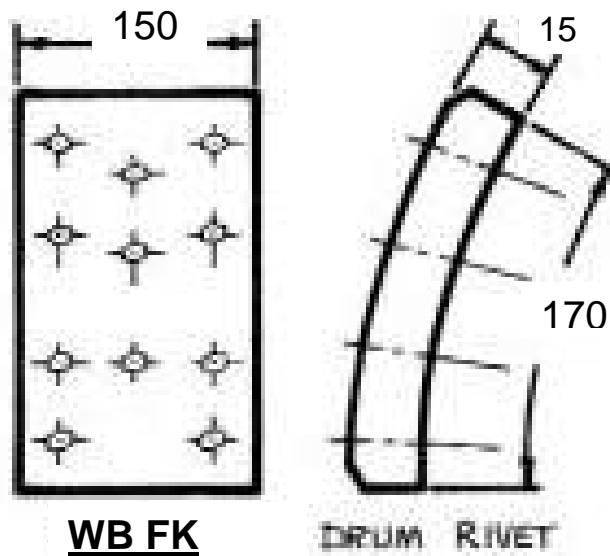
Part No. WB FG87

Name / ref no.	Length (mm)	Width (mm)	Thickness	Drum dia.	Pcs/set	River Per Set
WB FG	210mm	220mm	16.5mm	420mm	8	128/L11

Application model:

HINO 500 TRUCK:
 FG8J J02E-UG (Euro II) 2019-on
 FG Series
 FL Series
 FM Series

WB FK62 – UD/Mitsubishi F



UD/Mitsubishi Commercial for Front Wheel

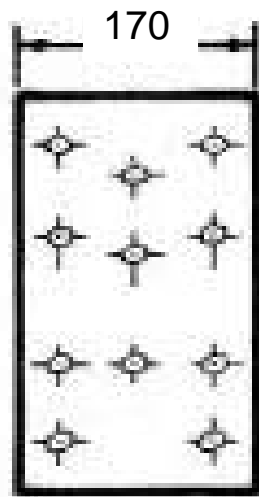
Part No. WB FK62

Name / ref no.	Length (mm)	Width (mm)	Thickness	Drum dia.	Pcs/set	River Per Set
WB FK	185mm	150mm	15.5mm	370mm	8	88/L9

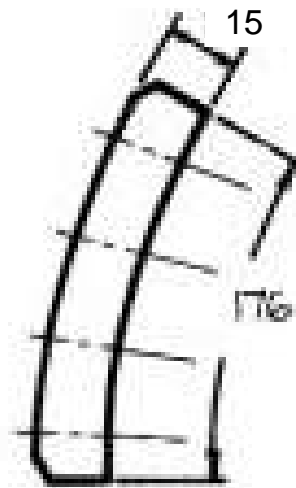
Application model:

Mitsubishi/UD:
FK series

WB FM/FN – UD/Mitsubishi R



WB FM



DRUM RIVET

UD/Mitsubishi Commercial for Rear Wheel

Part No. WB FM/FN

Name / ref no.	Length (mm)	Width (mm)	Thickness	Drum dia.	Pcs/set	River Per Set
WB FM	185mm	170mm	15.5mm	370mm	8	88/L9

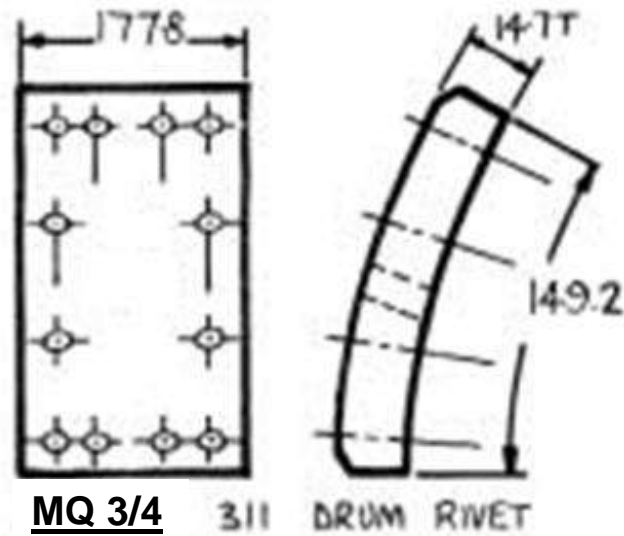
Application model:

Mitsubishi/UD:

FM series

FN series

WB MQ3/4 – Trailer Exles R



Trailer Exles Commercial for Rear Wheel

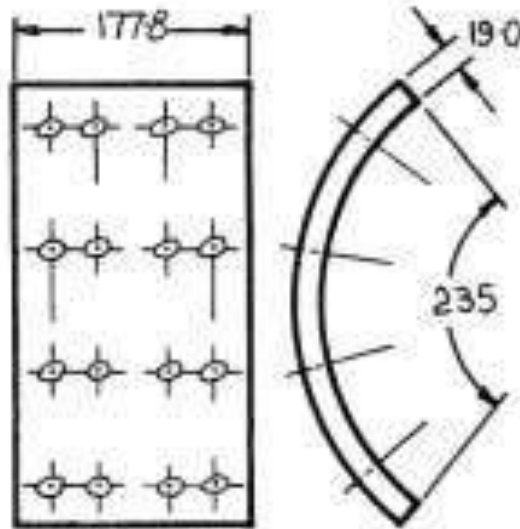
Part No. WB MQ3/4 (Cam and Anchor)

Name / ref no.	Length (mm)	Width (mm)	Thickness	Drum dia.	Pcs/set	River Per Set
WB FG	160mm	177mm	13mm	311mm	8	96/L9

Application model:

Axle Commercial:
York

WB SV40/1 – Scania



WB SV40/1 412 DRUM RIVET

Scania Commercial for Front Wheel

Part No. WB SV40/1

Name / ref no.	Length (mm)	Width (mm)	Thickness	Drum dia.	Pcs/set	River Per Set
WB SV40/1	259mm	177mm	19mm	412mm	4	64/L11

Application model:

Scania Commercial:

K Series K93, K113, L113, L113CRB 1990-on

N Series N113, N113CRB 1990-on

N113 (drive Axle)

L Series L113 CRB 1991-on

P Series P113 1990-1994

P93M 1998-1993

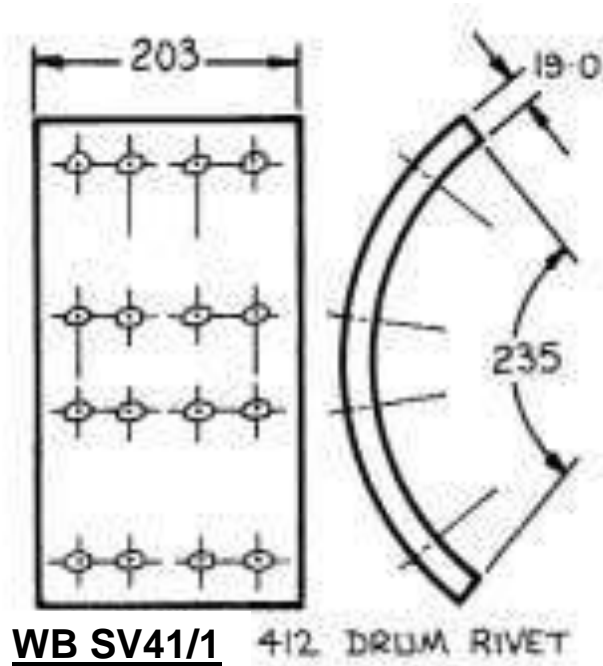
P94G 2002-on

R Series R113M 1989-1994

R113MA 1988-1997

R143M 1989 - 1997

WB SV41/1 – Scania



Scania Commercial for Front/Rear Wheel

Part No. WB SV41/1

Name / ref no.	Length (mm)	Width (mm)	Thickness	Drum dia.	Pcs/set	River Per Set
WB SV41/1	259mm	203mm	19mm	412mm	4	64/L11

Application model:

Scania Commercial:

L Series L94 1998-2000

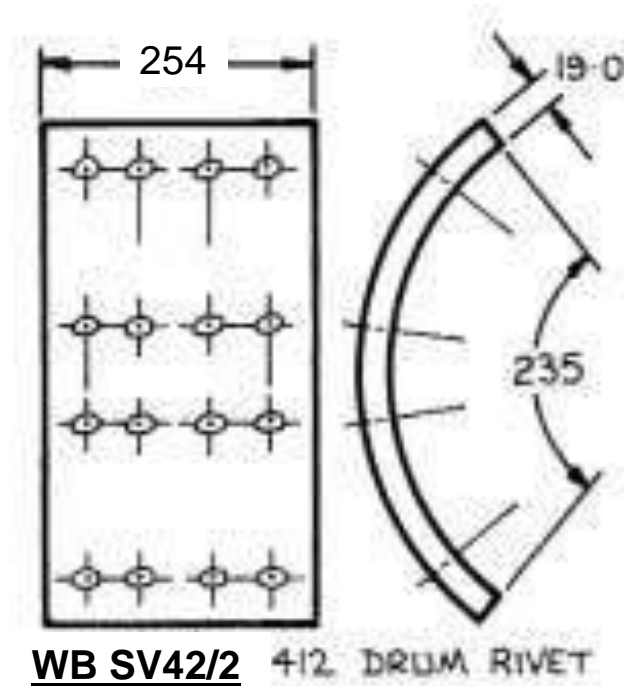
P Series P113 1990-1994

P93M 1998-1993

P94G 2002-on

R Series R143M 1989 - 1997

WB SV42/2 – Scania



Scania Commercial for Rear Wheel

Part No. WB SV42/2

Name / ref no.	Length (mm)	Width (mm)	Thickness	Drum dia.	Pcs/set	River Per Set
WB SV40/1	259mm	254mm	19mm	412mm	4	64/L11

Application model:

Scania Commercial:

K Series K93, K113, L113, L113CRB 1990-on

N Series N113, N113CRB 1990-on

N113 (drive Axle)

L Series L94 1998-2000

P Series P113 1990-1994

P93M 1998-1993

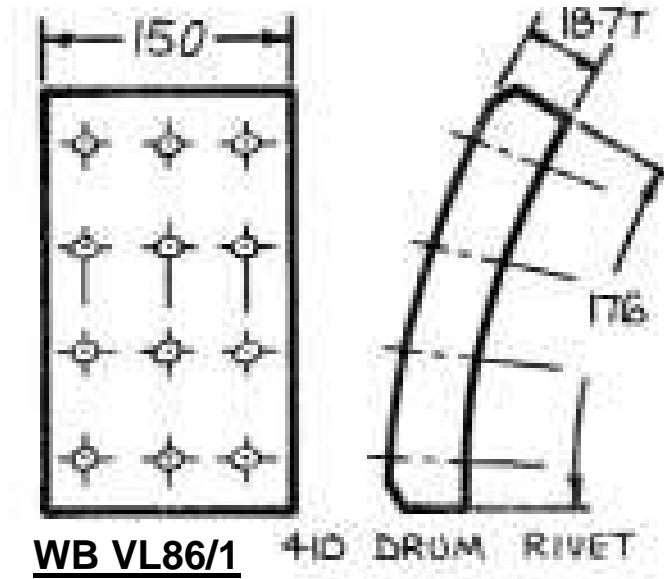
P94G 2002-on

R Series R113M 1989-1994

R143MA 1988 - 1997

R143M 1989 - 1997

WB VL86/1 – Volvo



Volvo Commercial for Front / Rear Wheel

Part No. WB VL 86/1 (6")

Name / ref no.	Length (mm)	Width (mm)	Thickness	Drum dia.	Pcs/set	River Per Set
WB VL86/1	192m	150mm	18.7mm	410mm	8	96/L9

Application model:

Volvo Commercial:

F Series F10,F12 'Z' Cam Brake 1985 - 1996

F7, FL7, FL10 1985 – 2000

FH12 – FH16 1994 – on

FH12 340, 380, 420, 460 1994 – on

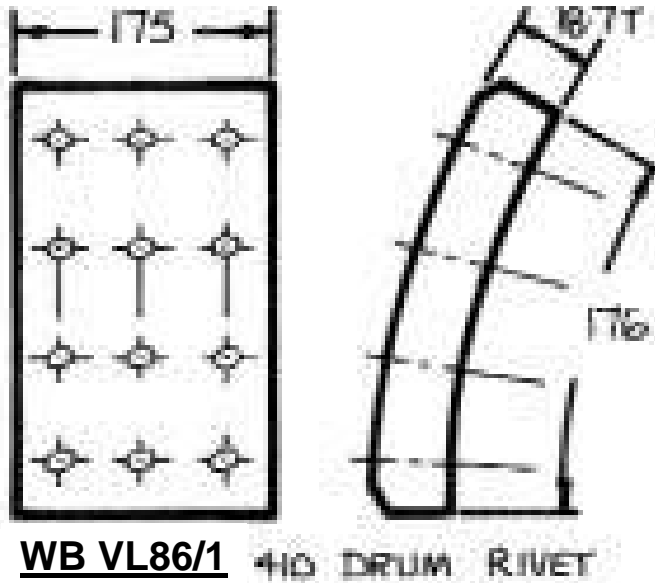
FH16 470, 520 1994 – on

FL Series FL10, FL12 'Z' Cam Brake 1985 - 2000

N Series N10, N12, NL10, NL12 Intercooler 'Z' Cam Brake 1986 – 2000

NH Series NH12 420, NH12 460 1999 - on

WB VL87/1 – Volvo



Volvo Commercial for Front / Rear Wheel

Part No. WB VL 87/1 (7")

Name / ref no.	Length (mm)	Width (mm)	Thickness	Drum dia.	Pcs/set	River Per Set
WB VL86/1	192m	175mm	18.7mm	410mm	8	96/L9

Application model:

Volvo Commercial:

F Series F10,F12 'Z' Cam Brake 1985 - 1996

F7, FL7, FL10 1985 – 2000

FH12 – FH16 1994 – on

FH12 340, 380, 420, 460 1994 – on

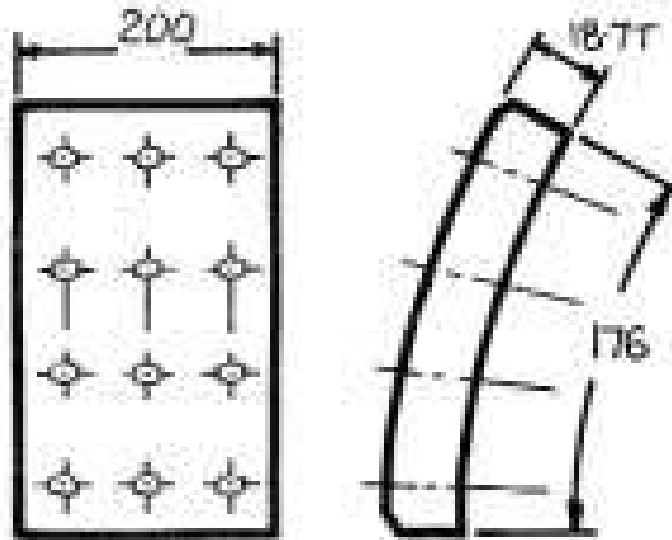
FH16 470, 520 1994 – on

FL Series FL10, FL12 'Z' Cam Brake 1985 - 2000

N Series N10, N12, NL10, NL12 Intercooler 'Z' Cam Brake 1986 – 2000

NH Series NH12 420, NH12 460 1999 - on

WB VL88/1 – Volvo



WB VL88/1 410 DRUM RWET

Volvo Commercial for Rear Wheel

Part No. WB VL88/1 (8")

Name / ref no.	Length (mm)	Width (mm)	Thickness	Drum dia.	Pcs/set	River Per Set
WB VL86/1	192m	200mm	18.7mm	410mm	8	96/L9

Application model:

Volvo Commercial:

Bus B10 Series B12 Coach 1992 – on

F Series F10,F12 'Z' Cam Brake 1985 – 1996

F16 Intercooler 1994 – 1996

F7, FL7, FL10 1985 – 2000

FH12 – FH16 1994 – on

FH12 340, 380, 420, 460 1994 – on

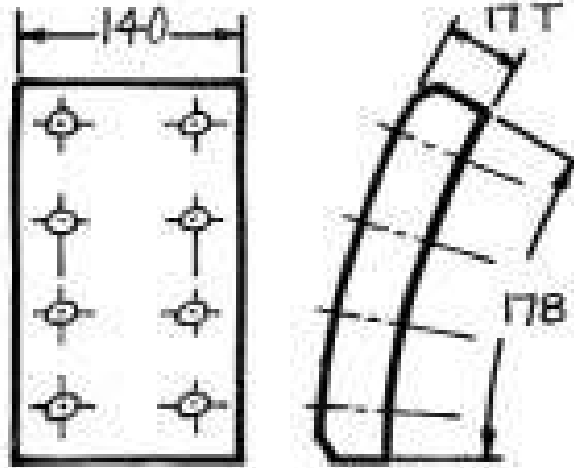
FH16 470, 520 1994 – on

FL Series FL10, FL12 'Z' Cam Brake 1985 - 2000

N Series N10, N12, NL10, NL12 Intercooler 'Z' Cam Brake 1986 – 2000

NH Series NH12 420, NH12 460 1999 - on

WB MP30/1 – Mercy



WB MP30/1 410 DRUM RIVET

Mercedes-Benz Commercial for Front Wheel

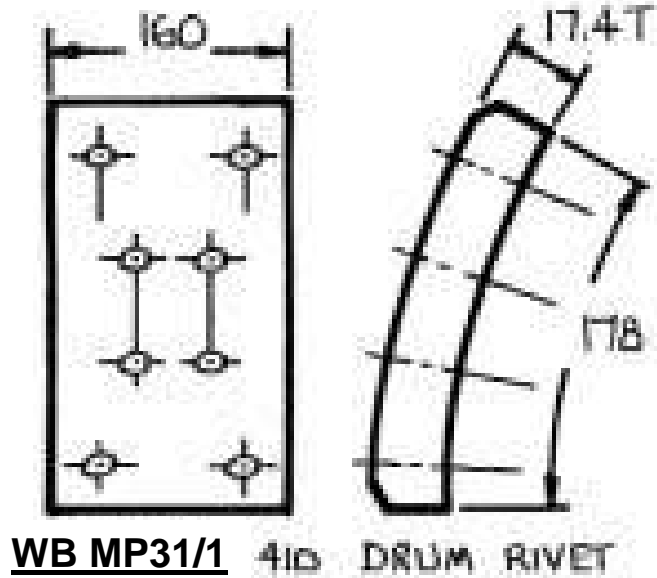
Part No. WB MP 30/1

Name / ref no.	Length (mm)	Width (mm)	Thickness	Drum dia.	Pcs/set	River Per Set
WB MP30/1	192m	140mm	17mm	410mm	8	64/M12

Application model:

<p>MAN Commercial:</p> <p>16000 Series 16240 UOCL, 16240 HOCL 1980 – 2000</p> <p>20000 – 26000 Series 24192 FC/TC 1975 – 1990 25256 NC/FCS 1975 – 1989</p> <p>10000 – 16000 Series 15192 FC, FS 1973 – 1989 15240 NC/FC/FCS 1973 – 1989 15280 FC/FCS 1979 – 1990</p>	<p>Mercedes Benz:</p> <p>1100-1600 Series OC 1617 1983 – 1988 OF1113/45, OF1113/52 1983 – 1987 OF1313, OF1317 1969 – 1975 OH 1316 1985 – on</p> <p>1400 Series 1417C 1986 – 1989 1419S, KS, 1418 1976 – 1987 1422S, 1425S 1980 – 1988 1424S 1975 – 1986</p> <p>1500-1700 Series 1517/48 1990 – 1995</p> <p>2200-2600 Series 2219 K 1984 – 1989 2224 Rear Dual Axle 1980-1992 2225 6x4 1988 – 1992 2226,2232 6x4 1973 - 1982</p>
--	---

WB MP31/1 – Mercy



Mercedes-Benz Commercial for Front / Rear Wheel

Part No. WB MP 31/1

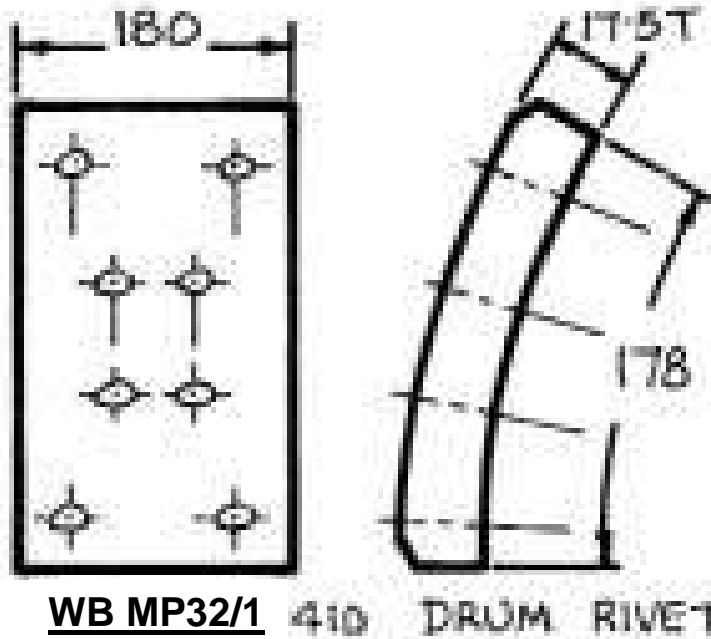
Name / ref no.	Length (mm)	Width (mm)	Thickness	Drum dia.	Pcs/set	River Per Set
WB MP31/1	192m	160mm	17mm	410mm	8	64/M12

Application model:

MAN AND MERCEDES BENZ COMMERCIAL

<p>MAN Commercial:</p> <p>16000 Series BUS 16240 UOCL, 16240 HOCL 1980 – 2000</p> <p>SG, SL, SR Series BUS SG220 Bus 1975 – 1986 SG240 1979 – 1986 SL200 Bus 1975 – 1986 SR 280 Bus 1977 – 1986 SR 321H 1982 - 1987</p> <p>20000 – 26000 Series 20280 FCTS 1977 - 1982 25256 NC/FCS 1975 – 1989 25280 FCS, 26280 FCTS 1977 - 1988 25321 FS 1980 – on 26240 FCTS 1973 -1991 26321 FCTS, 26281 1980 – 1994</p> <p>30000-48000 Series 32321 FCTS 8x8 1980 – 1983 41342 FCST, 48342 FCTS 1989 - 1995</p> <p>10000 – 16000 Series 13192 NC/FC 1973 – 1986 15168 NCA 1973 – 1989 16192 NCA 1988 – on</p>	<p>Mercedes Benz:</p> <p>1100-1600 Series BUS DH1418 1993 – on OC 1617 1983 – 1988 OH 1316, OH 1418 1985 – on OHL 1622, 1625, 1628, 1630 1986 – on</p> <p>1400 Series 1419S, KS, 1418 1976 – 1987 1422S, 1425S 1980 - 1988 1424S 1975 – 1986</p> <p>1500-1700 Series 1517/48 1990 – 1995 1617K, S 1985 – 1991 1719AK 1982 – 1984 OB1621, OC1621 1987 – 1991</p> <p>2200-2600 Series 2219K, 2222/48 1984-1989 2222K/32 1984 – 1989 2224 Rear Dual Axle, 2225 6x4, 2226,2232 6x4 1988 – 1992 2228S/30, 2233, 2233L, 2233V 1981 - 1988 2235 (Heavy Haul Version) 1987 – 1991 2236S, 2238S/30, 2624, 2626, 2632. 2636S/32 2638S 1984 - 1990</p> <p>3300-3800 Series 3850 1989 - on 3228, 3336 3824 6x4, 6x6 1984 - 1989</p>
---	--

WB MP32/1 – Mercy



Mercedes-Benz Commercial for Rear Wheel

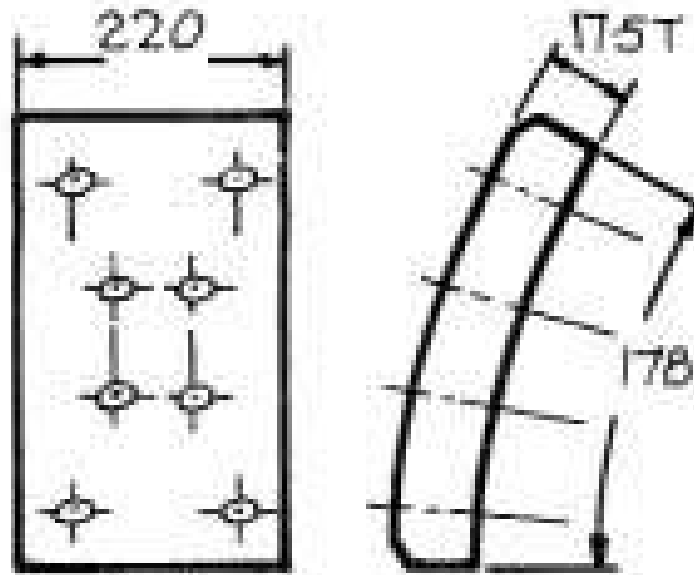
Part No. WB MP 32/1

Name / ref no.	Length (mm)	Width (mm)	Thickness	Drum dia.	Pcs/set	River Per Set
WB MP32/1	192m	180mm	17mm	410mm	8	64/M12

Application model:

<p>MAN Commercial: 16000 Series BUS 16240 UOCL, 16240 HOCL 1980 – 2000 SG, SL, SR Series BUS SG240 1979 – 1986 SL200 Bus 1975 – 1986 SR 280 Bus 1977 – 1986 20000 – 26000 Series 22192 FC, NC 1977 1989 24242 FCTS 1991 – 1995 26362FC, 26482 FSC, 26483FC 1989 – 1998 26402 FCS 1993 – 1998 30000-48000 Series 30362, 33362 FCTS 1989 – 1998 41342 FCST, 48342 FCTS 1989 - 1995 10000 – 16000 Series 13192 NC/FC 1973 – 1986 13192 NC/FC 1973 - 1989 15168 NCA, 15192 FC, FS, 15240 NC/FC/FCS 1973 – 1989 15280 FC/FCS 1979-1990 16192 NCA 1988 – on F2000 Series F2000 26.403, 26.463, F2000 32.403 C/Chas 1998-2002</p>	<p>Mercedes Benz: 1100-1600 Series BUS OH 1418 1985 – on OHL 1622, 1625, 1628, 1630 1986 – on 1500-1700 Series 1617K, S 1985 – 1991 1719AK 1982 – 1984 1734/32, 1734/36 1994- 1998 2200-2600 Series 2222/48, 2222K/32 1984-1989 2228S/30, 2233, 2233L, 2233V 1981 - 1988 2235 (Heavy Haul Version) 1987 – 1991 2238S/30 1982 – 1989 2434/36, 2435K,S, 2468S, 2468/36 1989 – 1998 2534/32, 2534/36, 2550S, 2650S, 2636S/32 2638S 1984 – 1990 2635AK 1990 – 1997 3300-3800 Series 3850 1989 - on</p>
---	--

WB MP36/1 – Mercy



WB MP36/1 410 DRUM RIVET

Mercedes-Benz Commercial for Rear Wheel

Part No. WB MP 36/1

Name / ref no.	Length (mm)	Width (mm)	Thickness	Drum dia.	Pcs/set	River Per Set
WB MP36/1	192m	220mm	17mm	410mm	8	64/M12

Application model:

MAN Commercial:

SG, SL, SR Series SG220 Bus 1975-1986

SL200 Bus 1975 -1986

SR 280 Bus, SR 321H 1982 – 1987

20000-26000 Series (24242 FCTS) 1991 – 1995

30000-48000 Series (30362, 33362 FCTS) 1989 – 1998

(41342 FCST, 48342 FCTS) 1989 – 1995

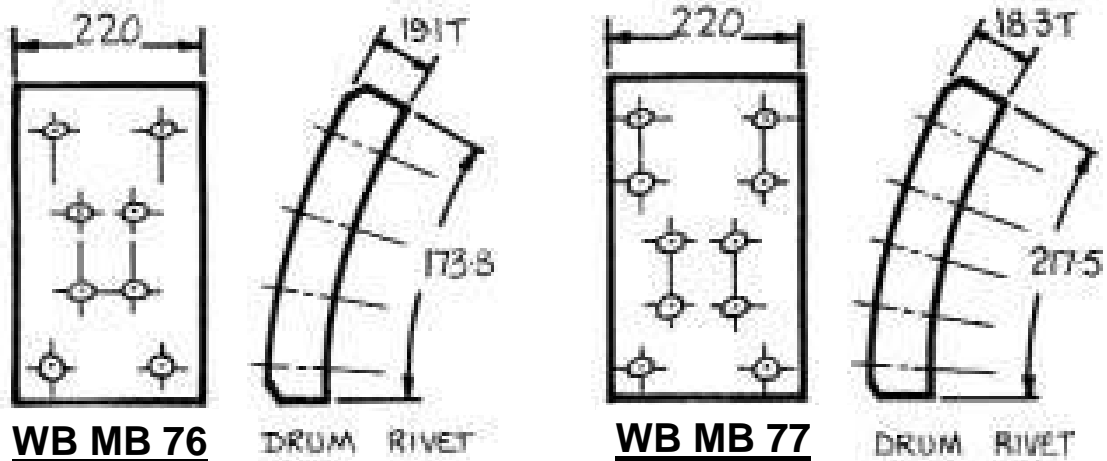
10000-16000 Series (18223, 18.263 FCC/Chas) 1997 – 2000

(16192 NCA) 1988 – on

F2000 Series (F2000 26.403, 26.463, F2000 32.403 C/Chas) 1998 – on

Mercedes Benz (BUS) 1100-1600 Series (OHL 1622, 1625, 1628, 1630) 1986 – on

WB MB 76/77 – Mercy



Mercedes-Benz Commercial for Rear Wheel

Part No. WB MB 76/77

Name / ref no.	Length (mm)	Width (mm)	Thickness	Drum dia.	Pcs/set	River Per Set
WB MB76/77	190m	220mm	18mm	410mm	4	72/M12
WB MB76/77	232m	220mm	17mm	410mm	4	72/M12

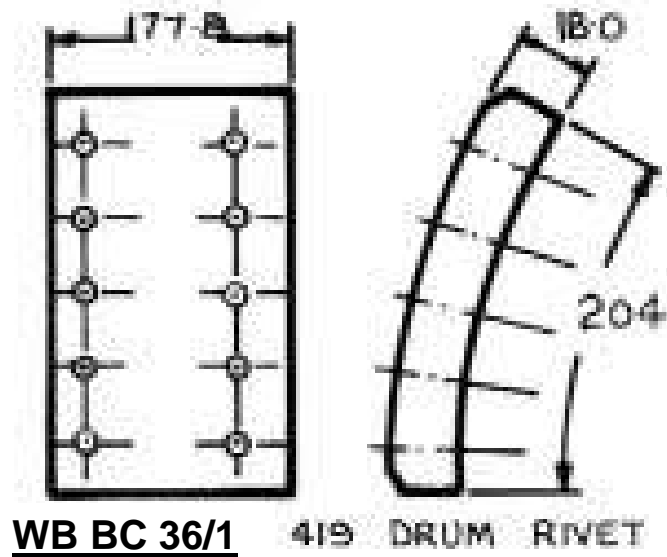
Application model:

MAN Commercial:

SG, SL, SR Series SL200 Bus 1975 – 1986

Mercedes-Benz Bus (0.300 Series, 0.400-900 Series) 1986 – on

WB BC 36/1 – BPW Trailer Exles



BPW Trailer Exles Commercial for Rear Wheel

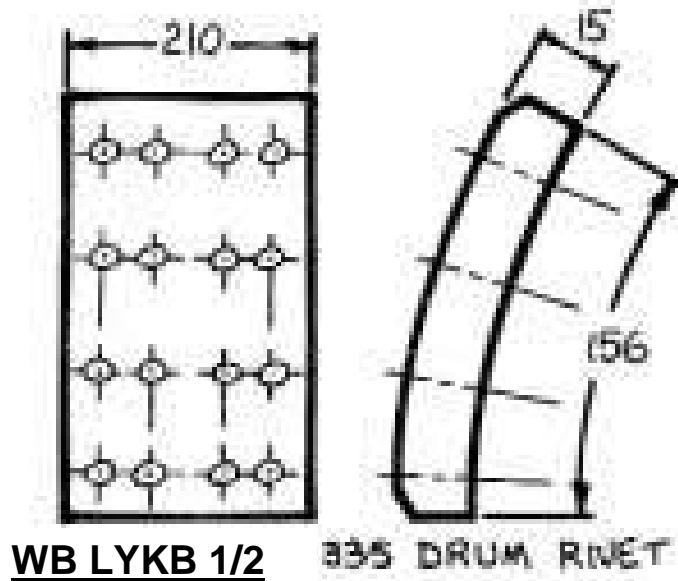
Part No. WB BC 36/1

Name / ref no.	Length (mm)	Width (mm)	Thickness	Drum dia.	Pcs/set	River Per Set
WB BC36/1	204m	180mm	17mm	420mm	8	80/M12

Application model:

Trailer Exle:
BPW Axle, Haulmark Trailer Axle, Transpec Axle,

WB LYKB 12/1/2 – Trailer Exles



York Trailer Exles Commercial for Rear Wheel

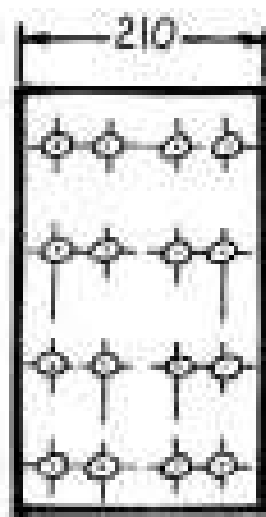
Part No. WB LYKB (Cam and Anchor)

Name / ref no.	Length (mm)	Width (mm)	Thickness	Drum dia.	Pcs/set	River Per Set
WB LYKB	170m	210mm	15mm	335mm	8	128/L9

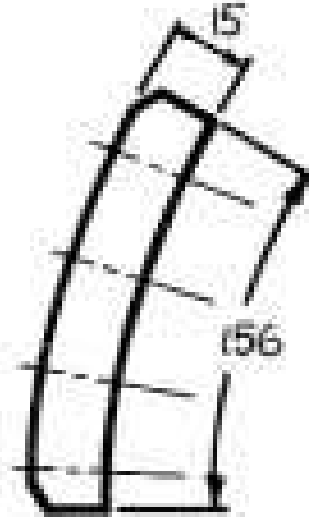
Application model:

Trailer Exle:
York

WB 4720 – Kenworth F



WB 4720



DRUM RIVET

Kenworth Commercial for front Wheel

Part No. WB 4720 (Cam and Anchor)

Name / ref no.	Length (mm)	Width (mm)	Thickness	Drum dia.	Pcs/set	River Per Set
WB 4720	207m	127mm	22mm	420mm	8	64/L9

Application model: (no Image)

Freightliner:

Rockwell "Q" Plus

Kenworth Front wheel 16.5"X5"

Isuzu FV series FVY1400 Long ("Q" Plus) 2000 – on

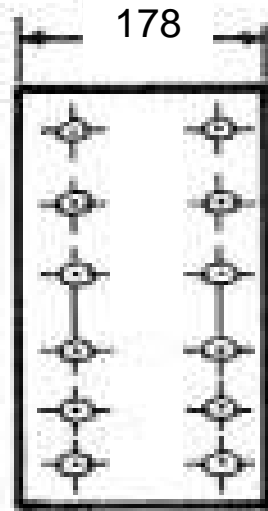
Isuzu GV series ("Q" Plus) 2000 – on

Isuzu Giga series 425 EXY P/Mover 2000 ("Q" Plus) 2000 – on

Ford Commercial Aeromax (AT-9513 C/Chas) 1997 – 1999

(LT9513 C/Chassis) 1997 -1999

WB 4515 – Kenworth R



WB 4515



Kenworth Commercial for Rear Wheel

Part No. WB 4515 (Cam and Anchor)

Name / ref no.	Length (mm)	Width (mm)	Thickness	Drum dia.	Pcs/set	River Per Set
WB 4515	192m	178mm	22mm	420mm	8	96/L9

Application model:

Freightliner:

Rockwell "Q" Plus

Kenworth Rear wheel 16.5"X7"

Isuzu FV series FVY1400 Long ("Q" Plus) 2000 – on

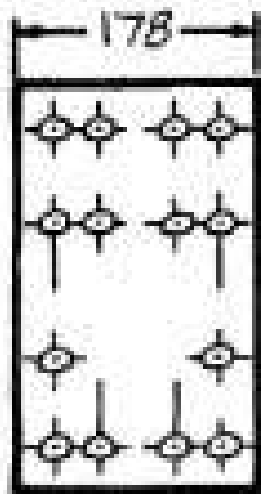
Isuzu GV series ("Q" Plus) 2000 – on

Isuzu Giga series 425 EXY P/Mover 2000 ("Q" Plus) 2000 – on

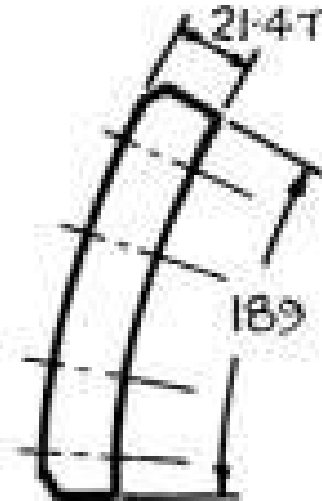
Ford Commercial Aeromax (AT-9513 C/Chas) 1997 – 1999

(LT9513 C/Chassis) 1997 -1999

WB 4707 – Kenworth R



WB 4707



419-1 DRUM RIVET

Kenworth Commercial for Rear Wheel

Part No. WB 4707 (Cam and Anchor)

Name / ref no.	Length (mm)	Width (mm)	Thickness	Drum dia.	Pcs/set	River Per Set
WB 4707	209m	178mm	22mm	420mm	8	112/L9

Application model:

Freightliner:

Rockwell "Q" Plus

Kenworth Rear wheel 16.5"X7"

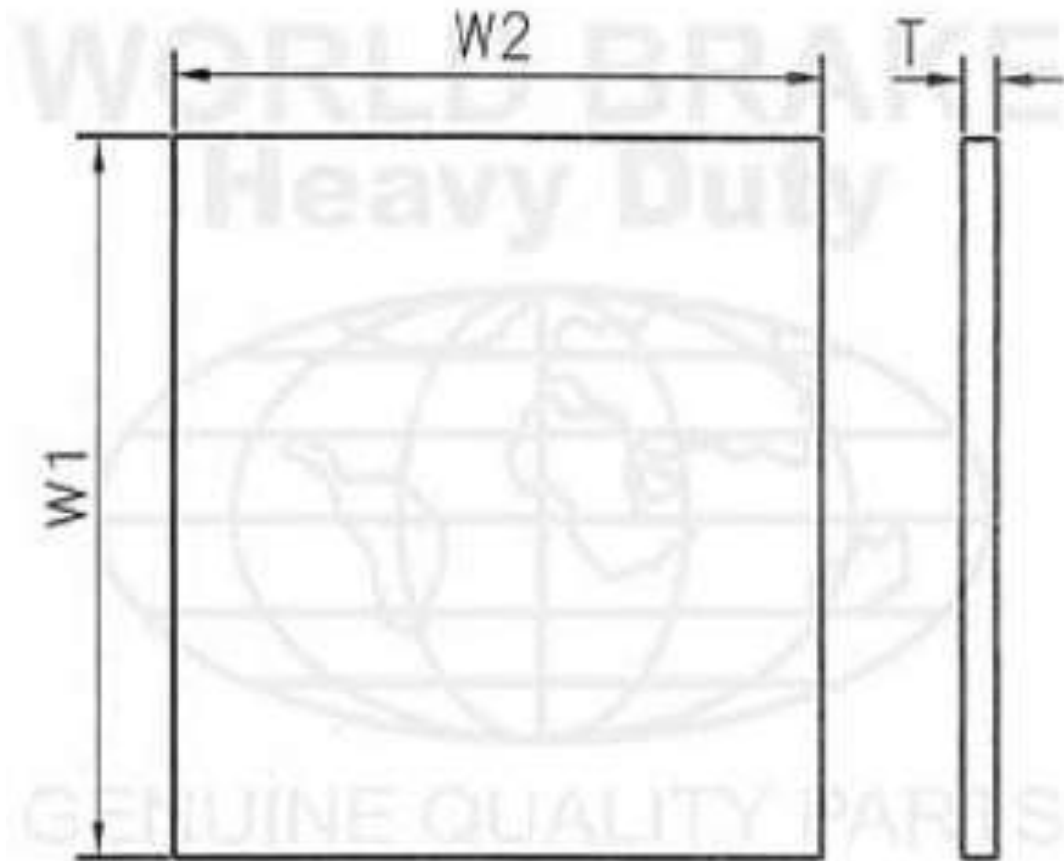
Isuzu FV series FVY1400 Long ("Q" Plus) 2000 – on

Isuzu Giga series 425 EXY P/Mover 2000 ("Q" Plus) 2000 – on

Ford Commercial Aeromax (AT-9513 C/Chas) 1997 – 1999

(LT9513 C/Chassis) 1997 -1999

Friction Sheet



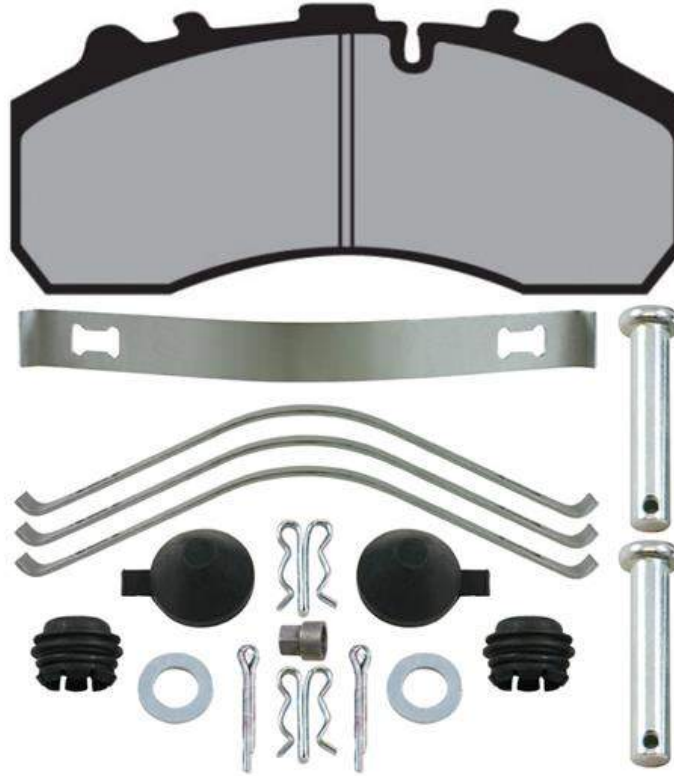
W1 450mm X W2 450mm X Tmm thickness

Application model for thickness T (mm):

1"	2"	3"	4"	5"	6"	7"	8"	9"	10"
11"	12"	13"	14"	15"	16"	17"	18"	19"	20"
25"	30"	35"	40"	50"					

Disc Pads WB 29087

For Scania, Iveco, MAN, DAF, Mercedes, SAF, BPW –
29087, 29179, 29042, 29059, 29060, 29016, 29180



Part No. WB 29087 / CVP 020(K7550)

Name / ref no.	Length (mm)	Height (mm)	Thickness	Pcs/set
WB 29087	209mm	178mm	30mm	4

APPLICATION (Front and Rear Wheel):

Scania 4, P, G, R & T Series

Iveco EuroCargo, EuroTech MH, MP, Stralis

MAN TGA, TGM, TGS, TGX. 1996+

DAF CF65, CF75, CF85, LF55, XF95, XF105

MERCEDES Actros, Atego, Axor, 0403, OH

SAF SKRZ9022K, SKRB9022K, SKRLB9022K

BPW SH Series. 1996-2003

Disc Pads WB 29095

For Iveco, MAN, Mercedes, Knorr Bremse, SAF, BPW –
29093, 29094, 29095, 29184, 29197, 29165



Part No. WB 29095/CVP 036(K7550)/CVP 082K

Name / ref no.	Length (mm)	Height (mm)	Thickness	Pcs/set
WB 29095	210.8mm	92.5mm	30mm	4

APPLICATION Front and Rear Wheel:

Knorr SB6, SB7, SN6

Meritor MDP3126

Iveco Eurocargo ML225, ML120, ML150, ML160

MAN M2000, L2000, LE, LM, TGM

SAF SKRB9019 2003+

SKRS9019 2003+

SKRZ9019 2003+

SKRZ11019 2003+

BPW SH Series. 1996-2003

MERCEDES Atego 815, 1317, 1215, 1523

Disc Pads WB 29173

For Korr Bremse, SAF, BPW – 29173



Part No. WB 29173

Name / ref no.	Length (mm)	Height (mm)	Thickness	Pcs/set
WB 29173	215mm	96.9mm	30mm	4

APPLICATION (Front Wheel):

Meritor ELSA 225-3

Volvo FE, FH, B13, FH16, FL2, B12, FM. 2005+

Renault Magnum, Premium, DXi. 2006+

Disc Pads WB 29174

For Korr Bremse, SAF, BPW – 29174



Part No. WB 29174

Name / ref no.	Length (mm)	Height (mm)	Thickness	Pcs/set
WB 29174	249.6mm	106.9mm	30mm	4

APPLICATION (Rear Wheel):

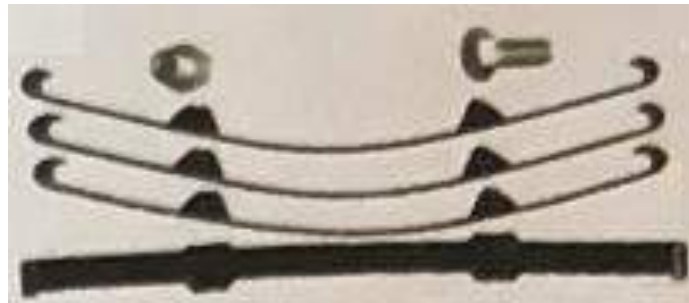
Meritor ELSA 225-3

Volvo FE, FH, B13, FH16, FL2, B12, FM. 2005+

Renault Magnum, Premium, DXi. 2006+

Disc Pads WB 29125

For Meritor, Volvo – 29125



Part No. WB 29125 / CVP 037

Name / ref no.	Length (mm)	Height (mm)	Thickness	Pcs/set
WB 29125	249.6mm	111.2mm	30mm	4

APPLICATION (Rear Wheel):

Meritor Lucas D-duco

Volvo FH12, FH16, FL, FM9, FM12, BTRB9, B12, B12M. 2000+

Disc Pads WB 29126

For Meritor, Volvo – 29126



Part No. WB 29126 / CVP 090

Name / ref no.	Length (mm)	Height (mm)	Thickness	Pcs/set
WB 29126	210mm	86.1mm	30mm	4

APPLICATION (Front Wheel):

Meritor D-duco

Volvo FH12, FH16, FL, FM9, FM12, BTRB9, B12, B12M. 2000+

Pan 19-1 Dennis

SAF

Disc Pads WB 29247

For Meritor, Volvo – 29246, 29247



Part No. WB 29247

Name / ref no.	Length (mm)	Height (mm)	Thickness	Pcs/set
WB 29247	249.9mm	110mm	30mm	4

APPLICATION (Front wheel):

Meritor ELSA 225-3

Volvo FE, FH, B13, FH16, FL2, B12, FM. 2005+

Renault Magnum, Premium, DXi. 2006+

Disc Pads WB 29245

For Knorr Bremse, Mercedes-Benz – 29244, 29245



Part No. WB 29245

Name / ref no.	Length (mm)	Height (mm)	Thickness	Pcs/set
WB 29245	207.5mm	118.4mm	30mm	4

APPLICATION (Rear wheel):

Knorr SB6, SN6

MERCEDES Actros, Atego, Axor. 2009+